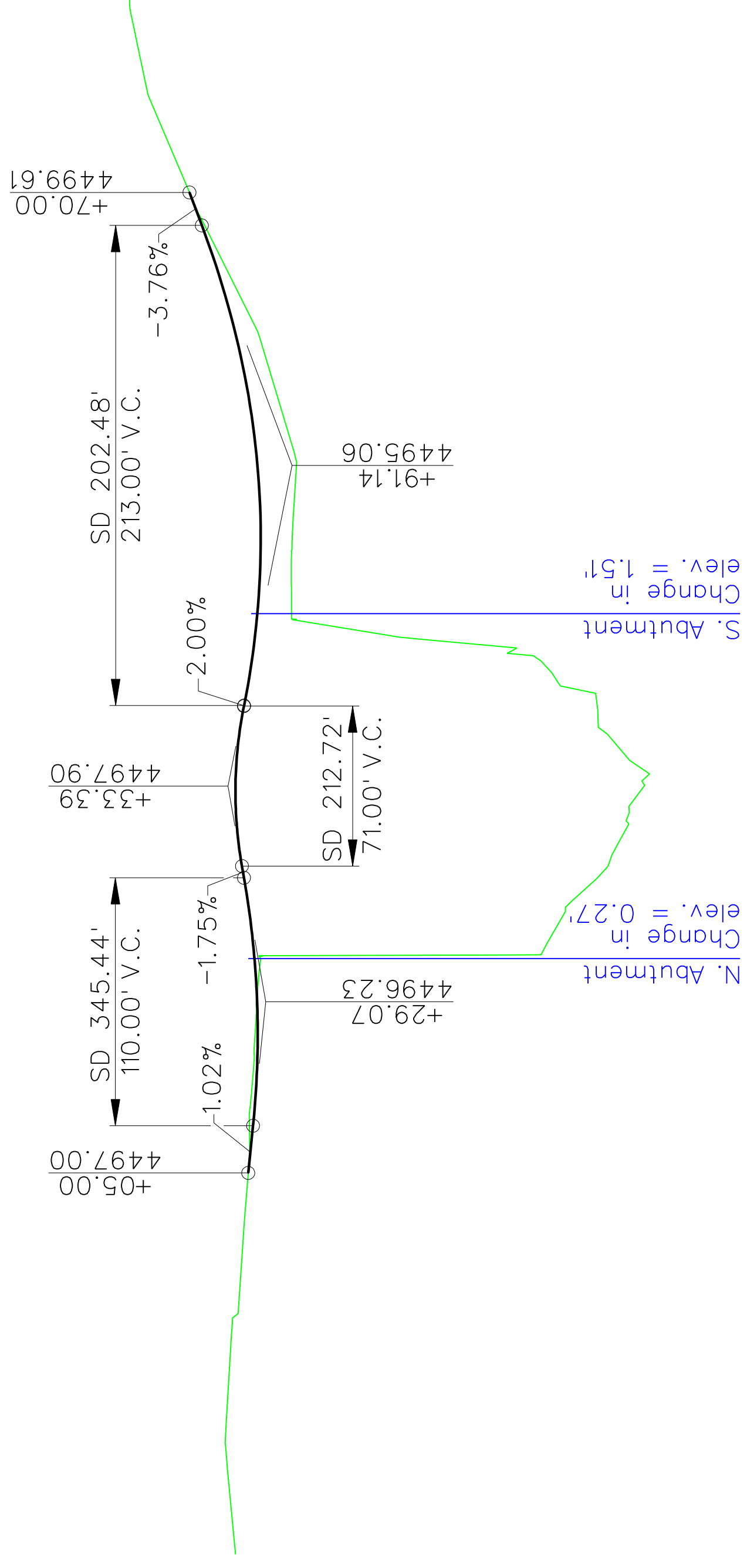
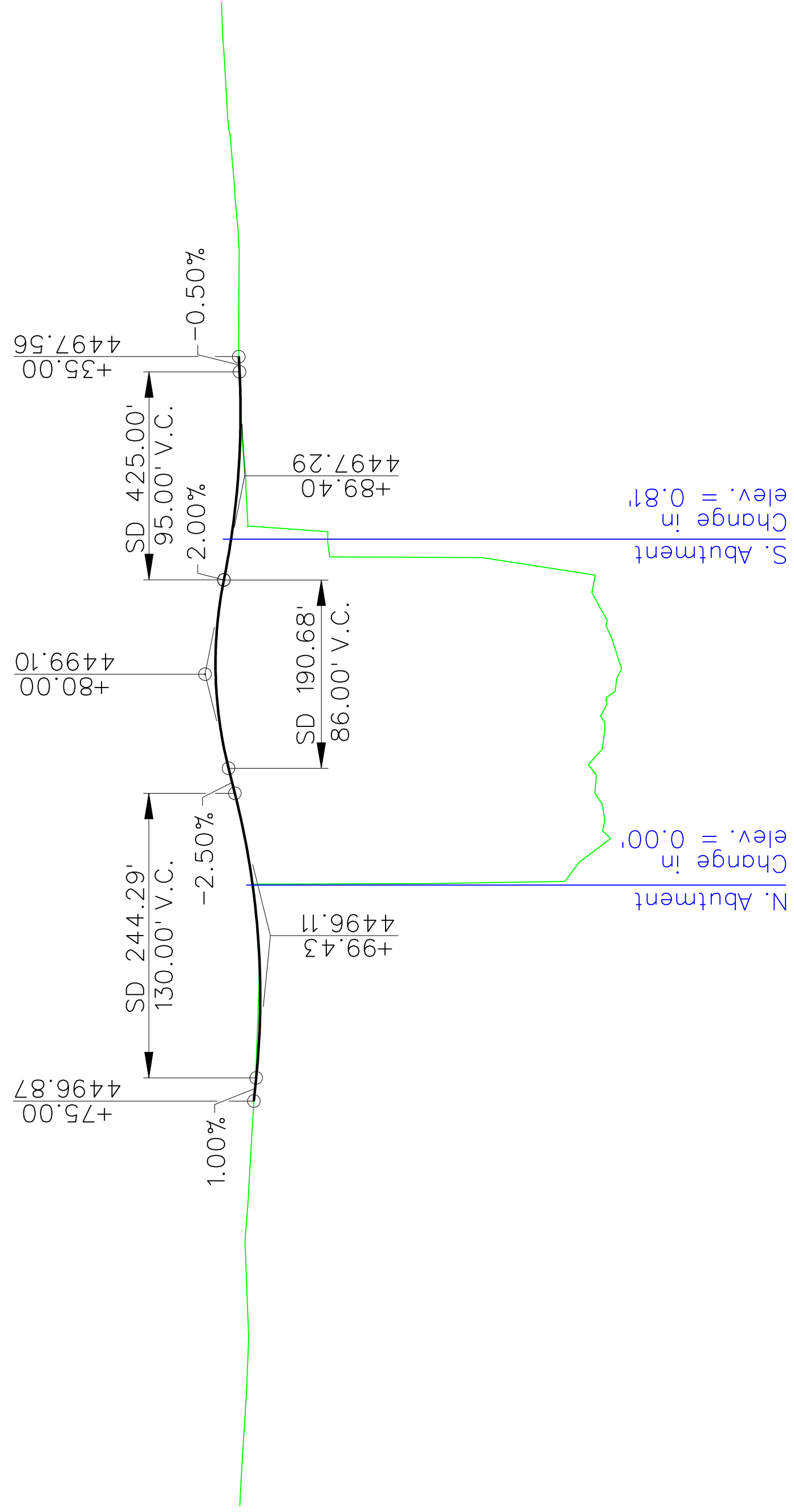
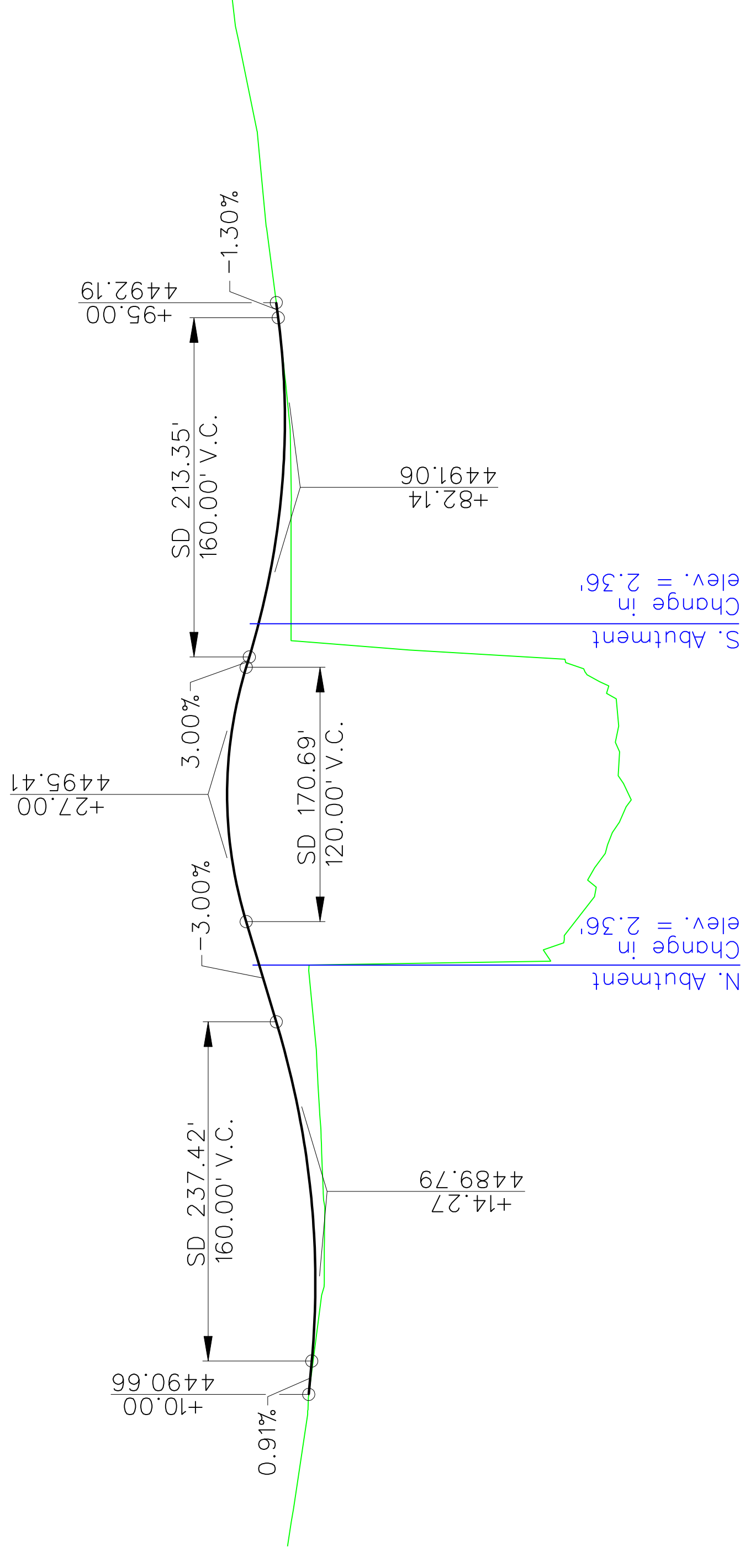

Appendix F
Roadway Profiles



SIERRA STREET
(LOOKING EAST)



VIRGINIA STREET
(LOOKING EAST)



LAKE STREET
(LOOKING EAST)

3/19/2008

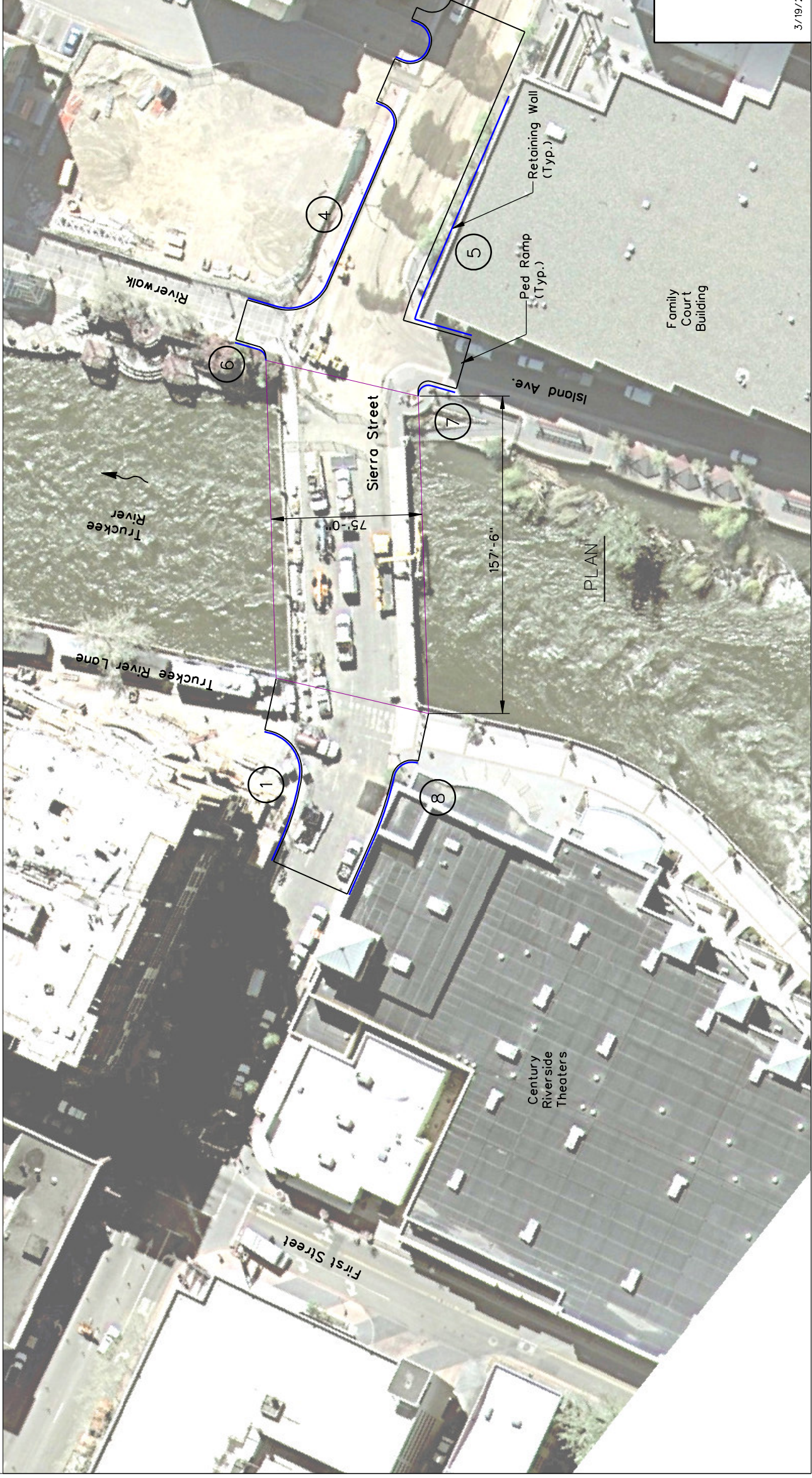
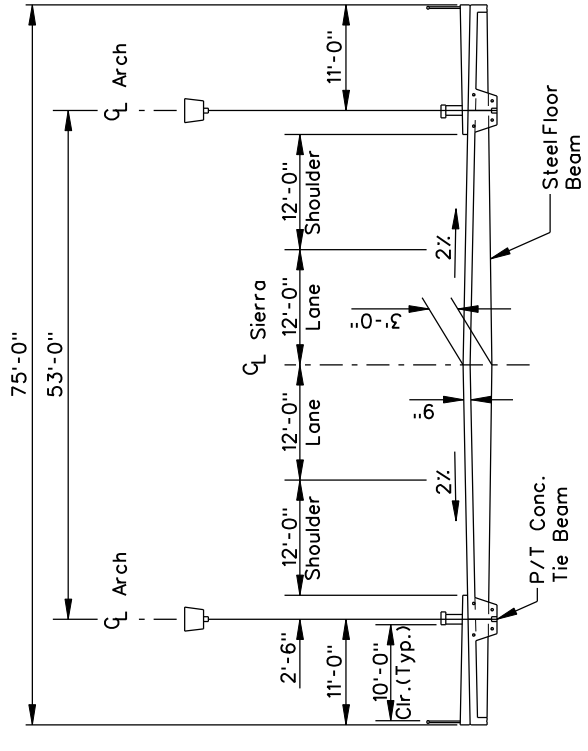
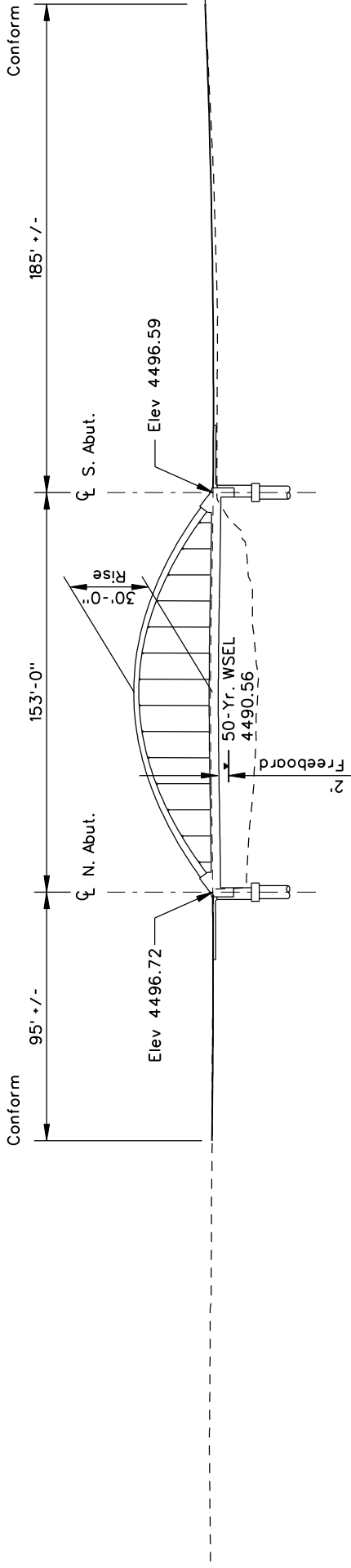
CH2MHILL

RENO TRACTION VISIONING PROJECT

ROADWAY PROFILES

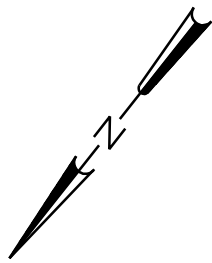
SCENARIO 1

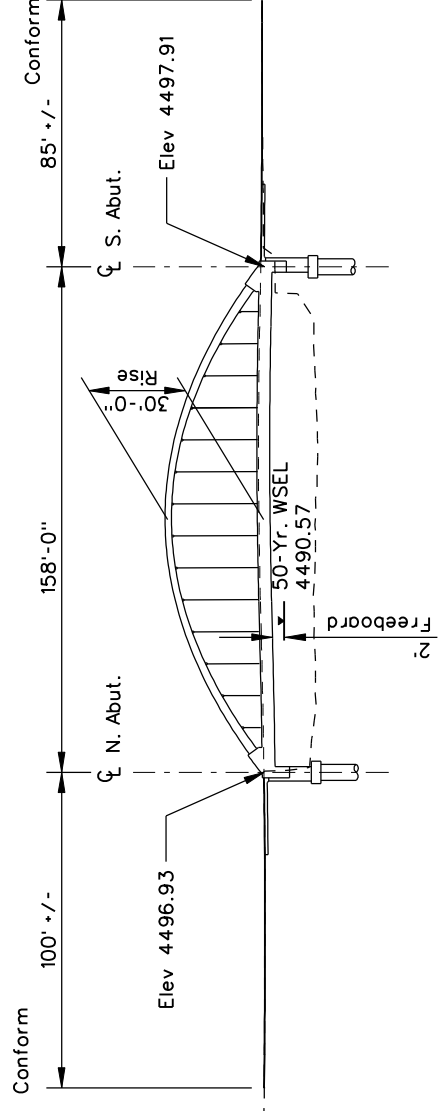
50 YEAR FLOOD PROTECTION



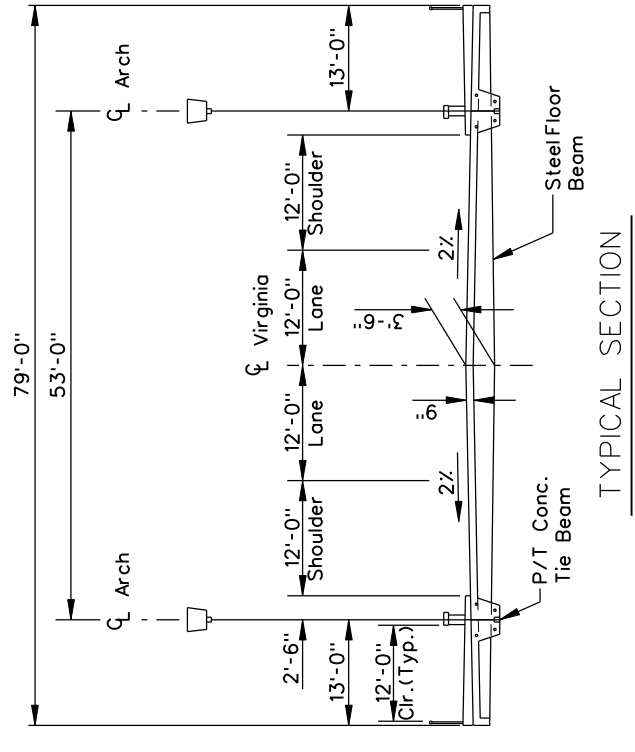
LEGEND

(X) Retaining Wall Number

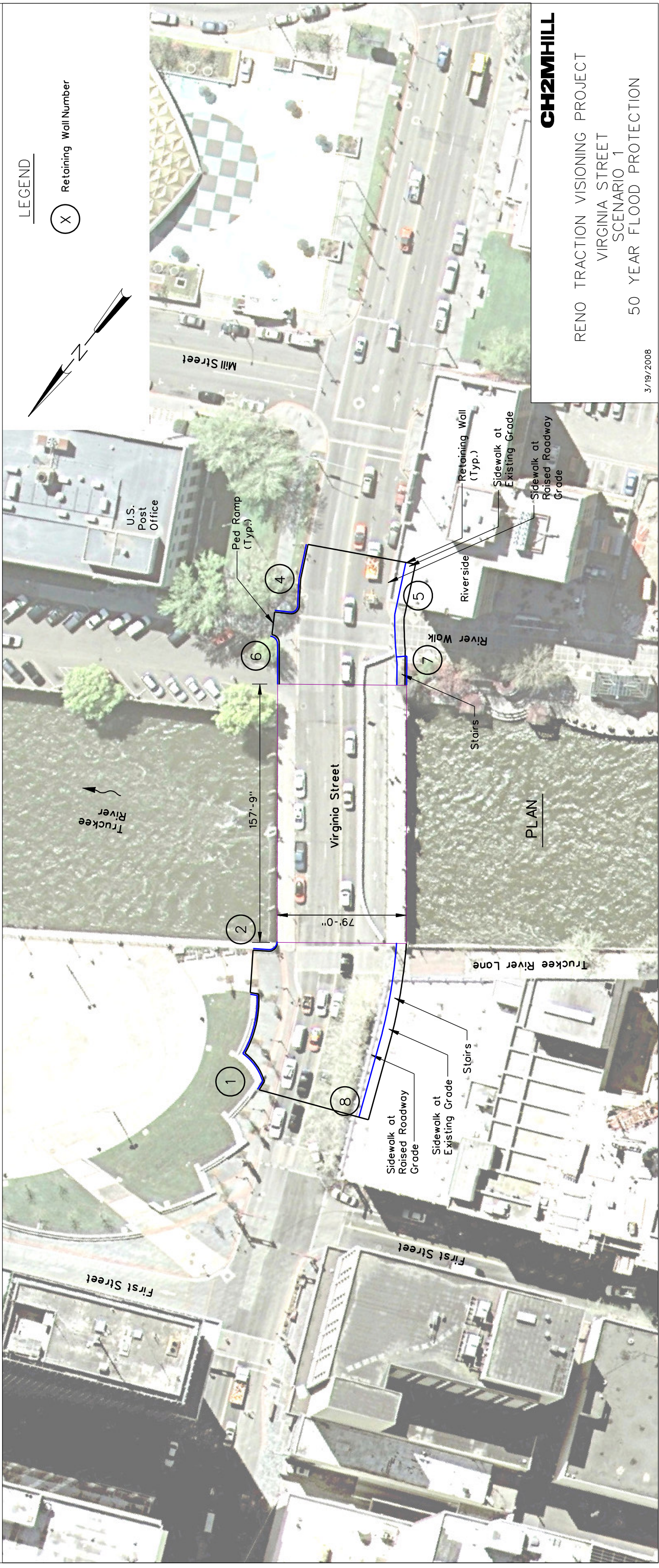




ELEVATION



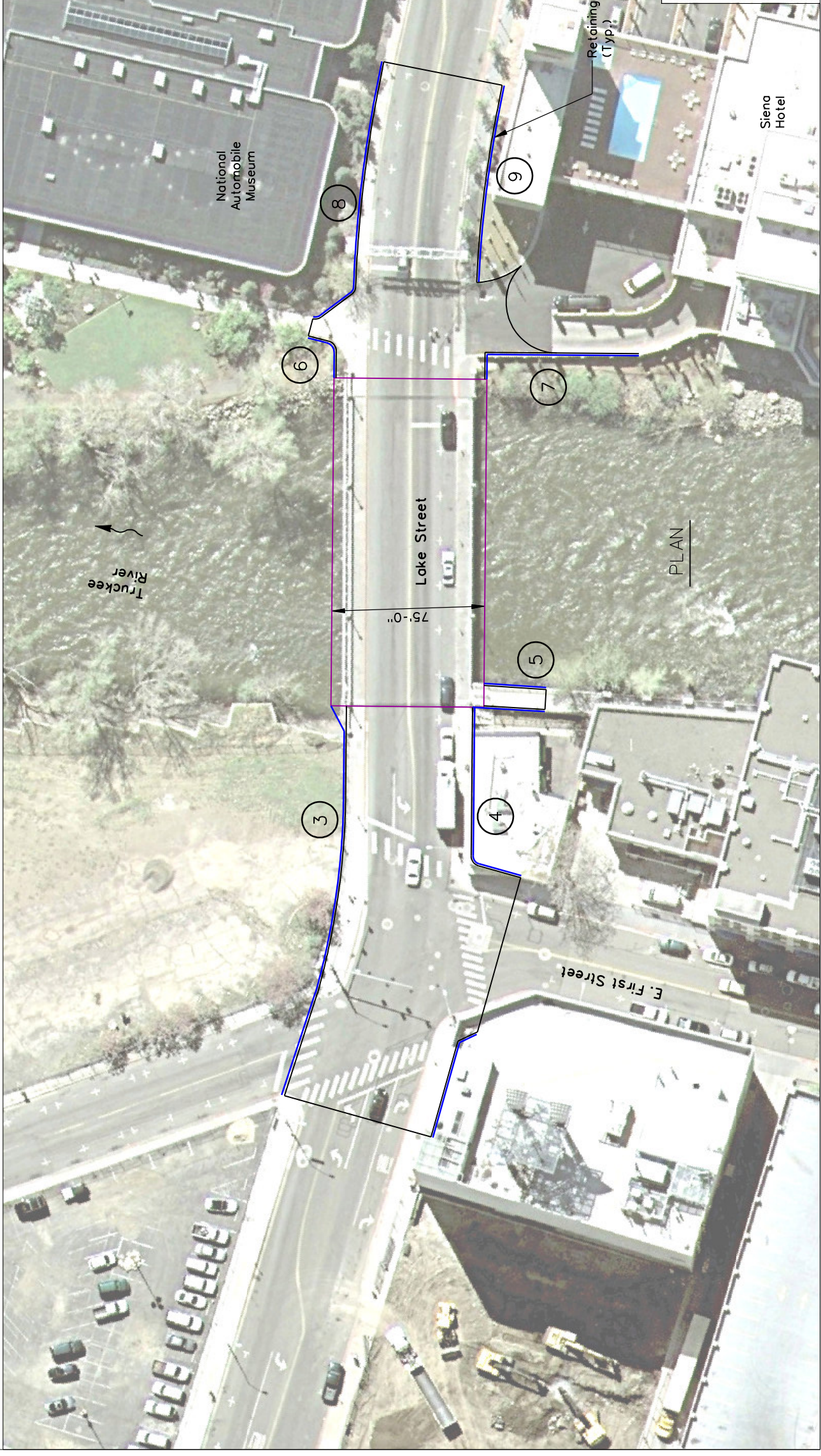
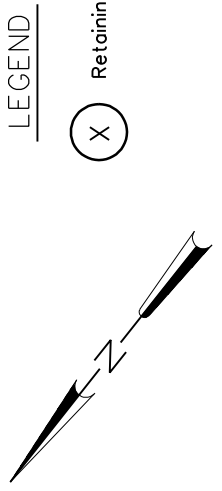
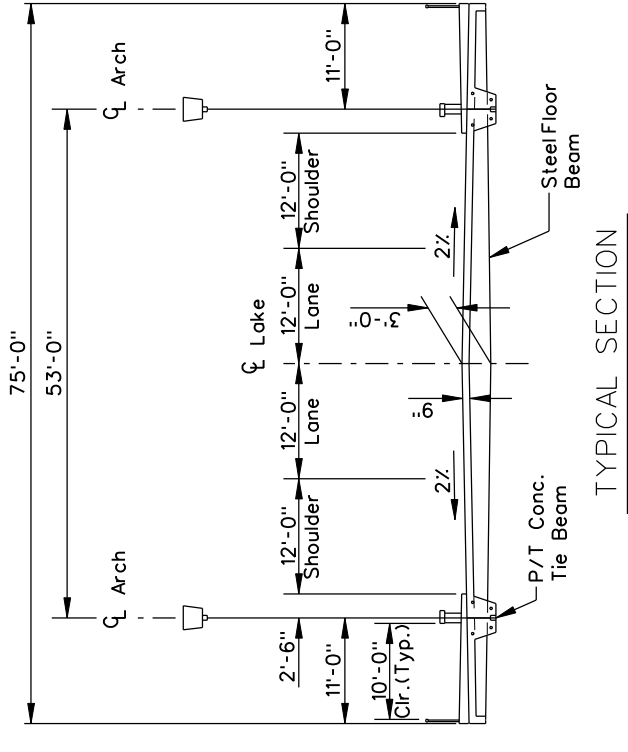
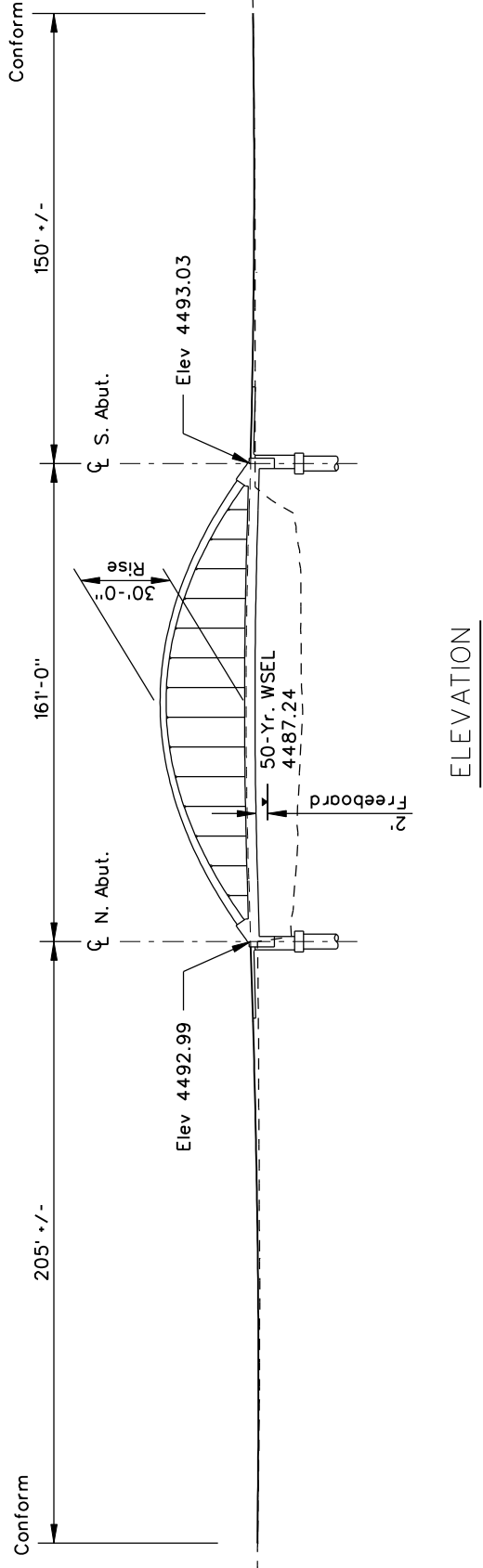
TYPICAL SECTION



PLAN

LEGEND

- (X) Retaining Wall Number



CH2MHILL

RENO TRACTION VISIONING PROJECT

LAKE STREET

SCENARIO 1

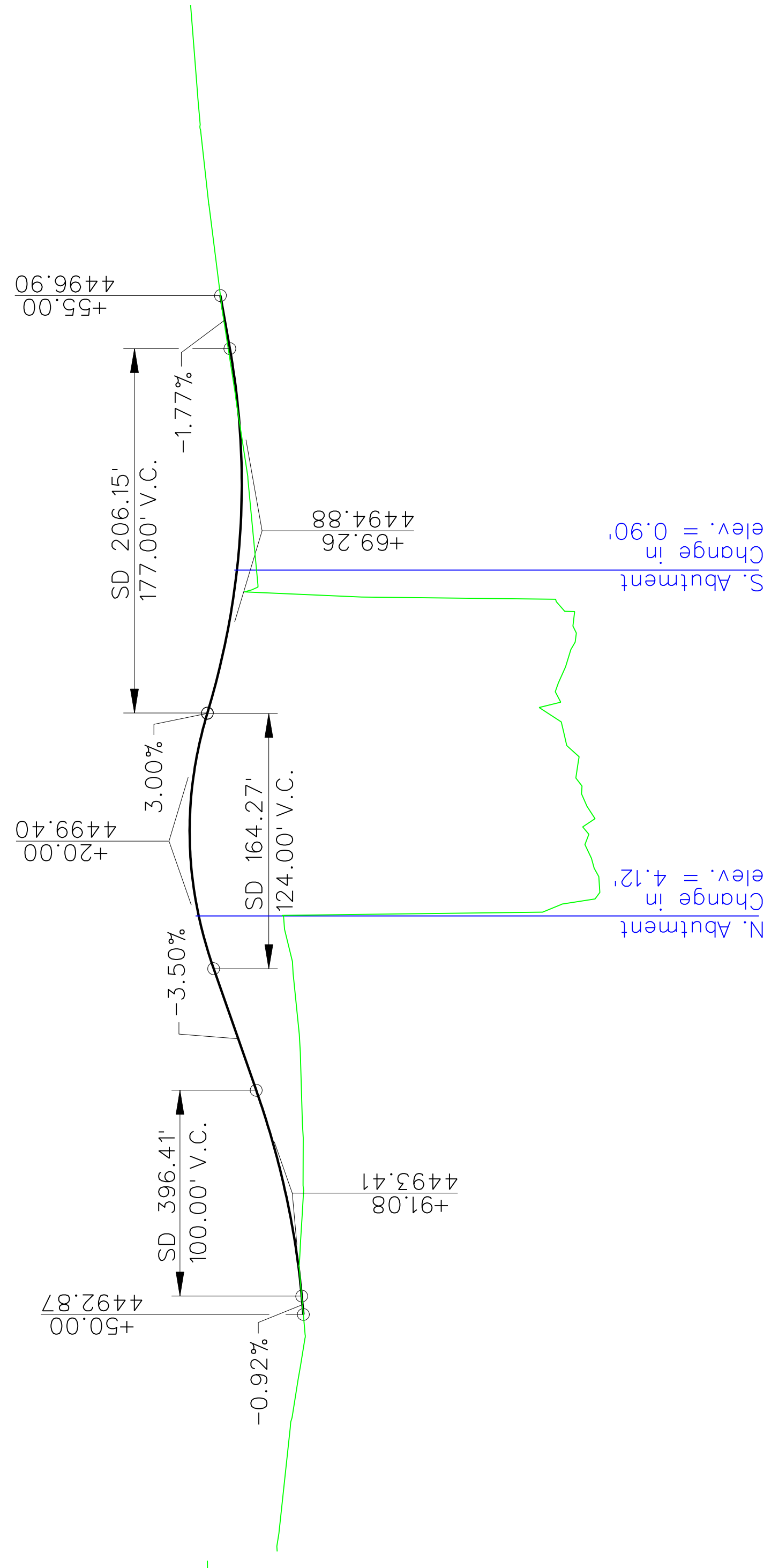
50 YEAR FLOOD PROTECTION

3/19/2008

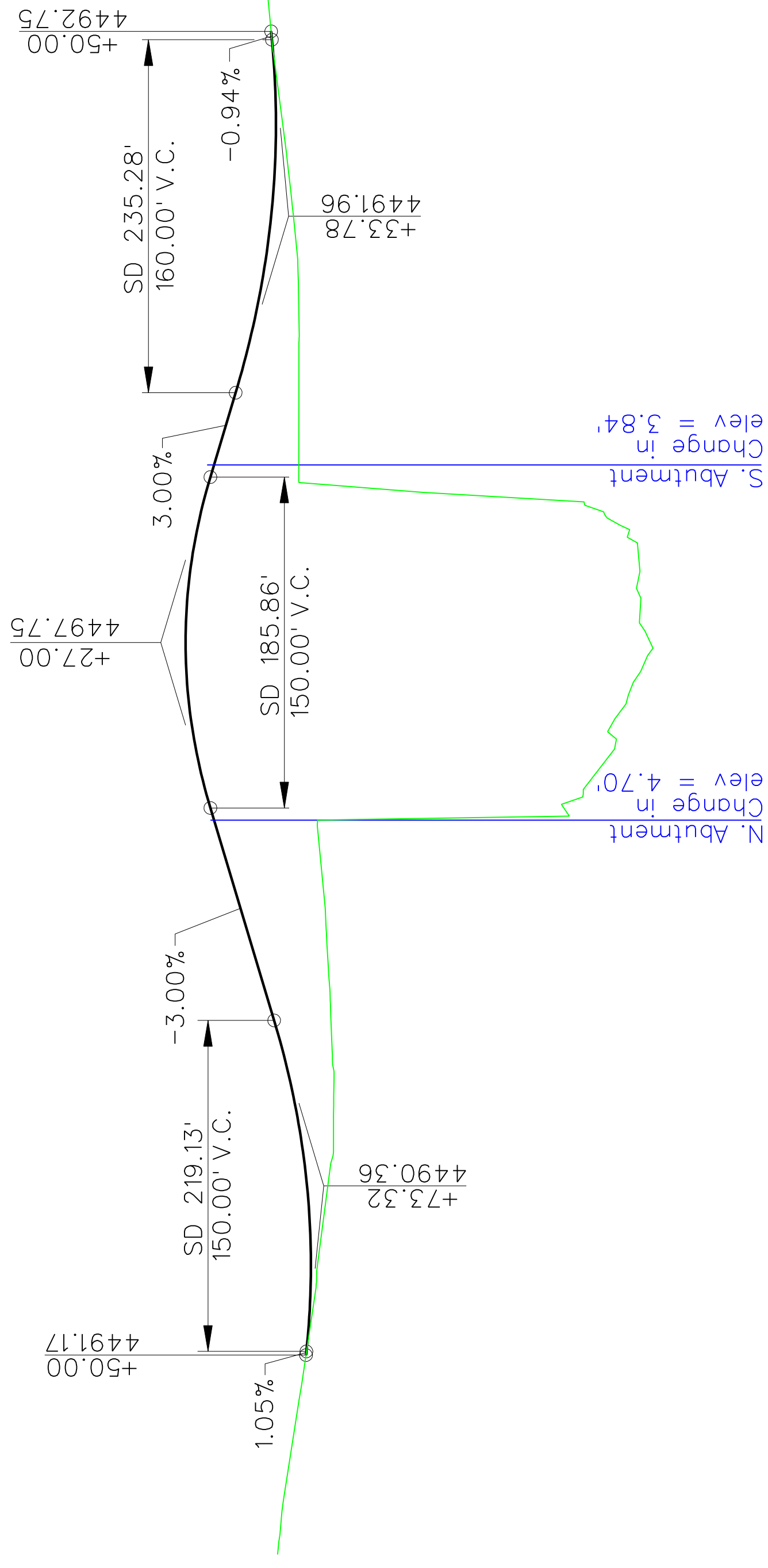
3/19/2008

CH2MHILL

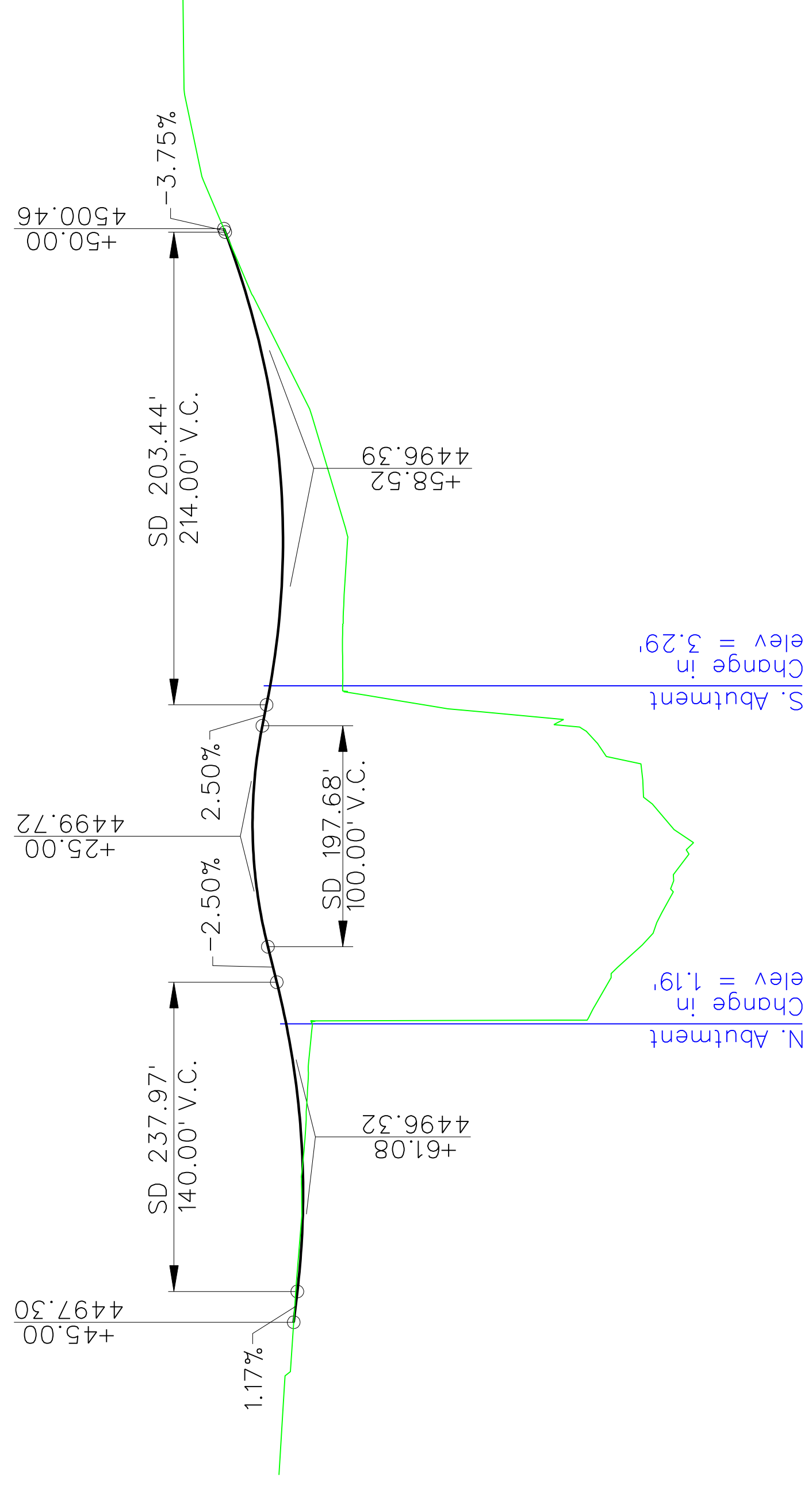
RENO TRACTION VISIONING PROJECT
ROADWAY PROFILES
SCENARIO 2
74 YEAR FLOOD PROTECTION



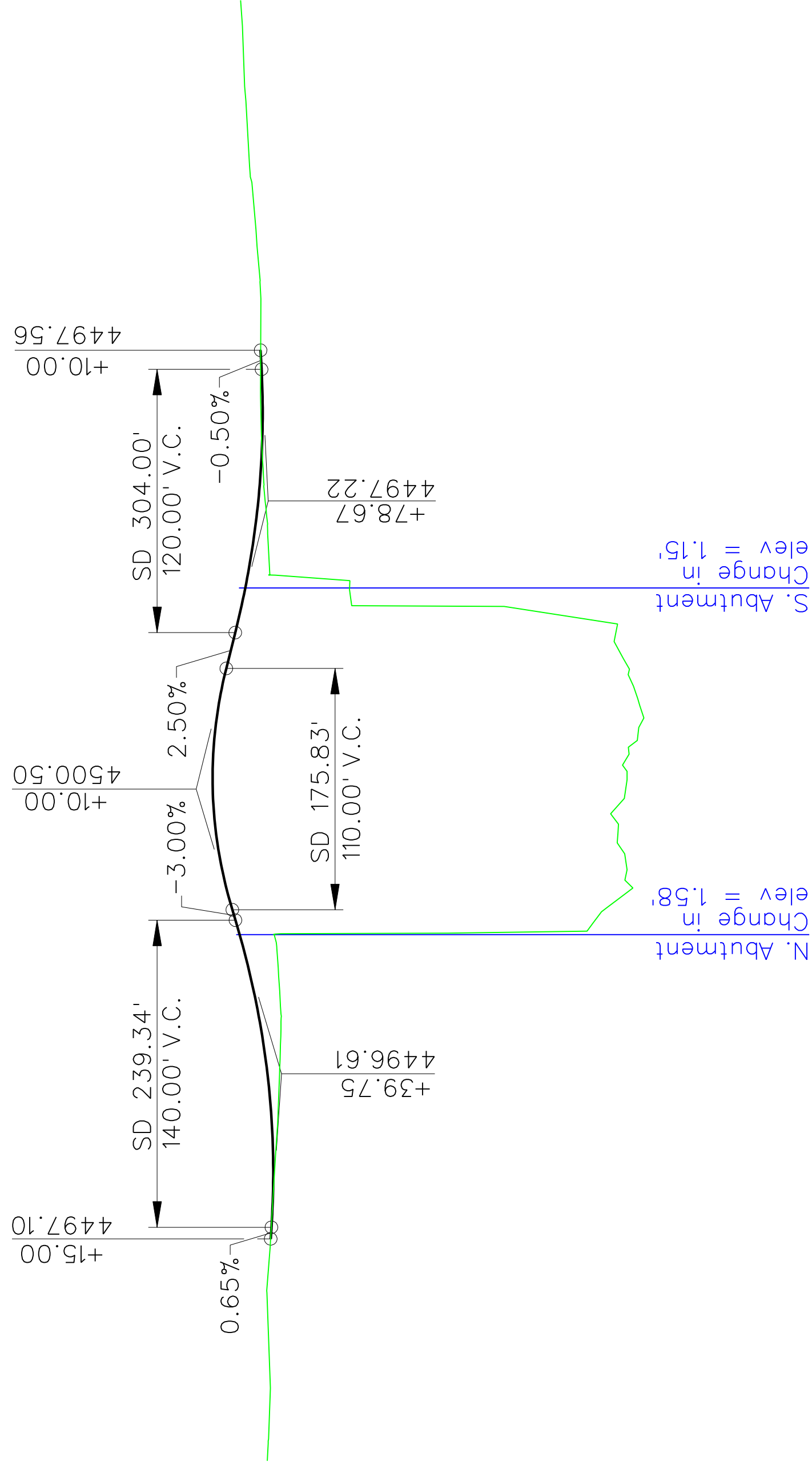
CENTER STREET
(LOOKING EAST)



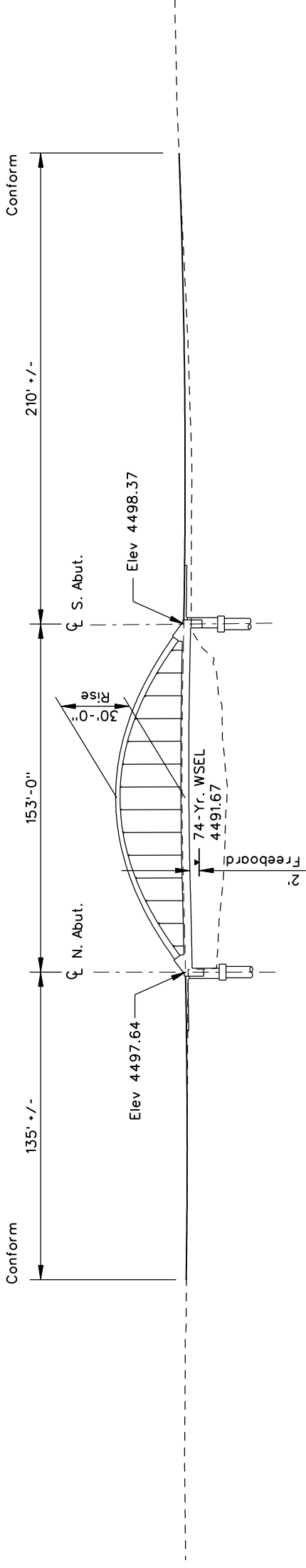
LAKE STREET
(LOOKING EAST)



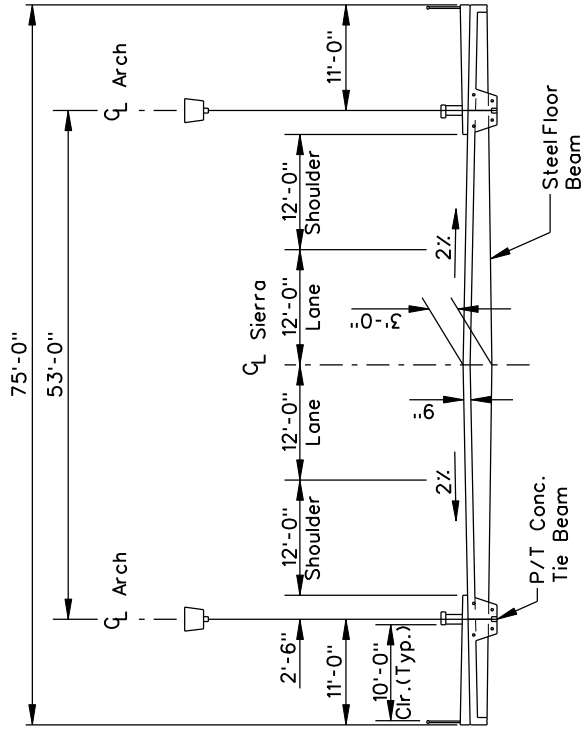
SIERRA STREET
(LOOKING EAST)



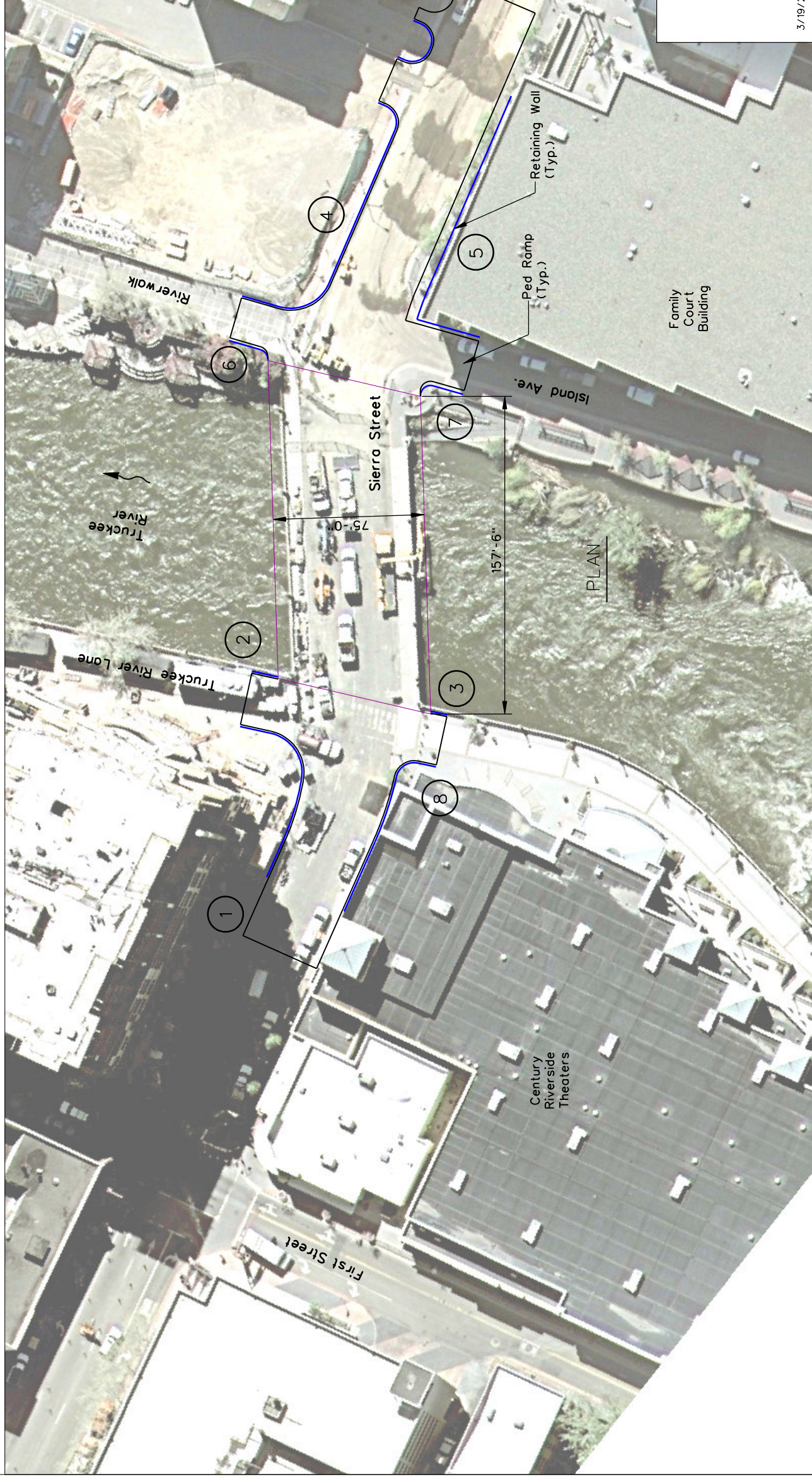
VIRGINIA STREET
(LOOKING EAST)



ELEVATION



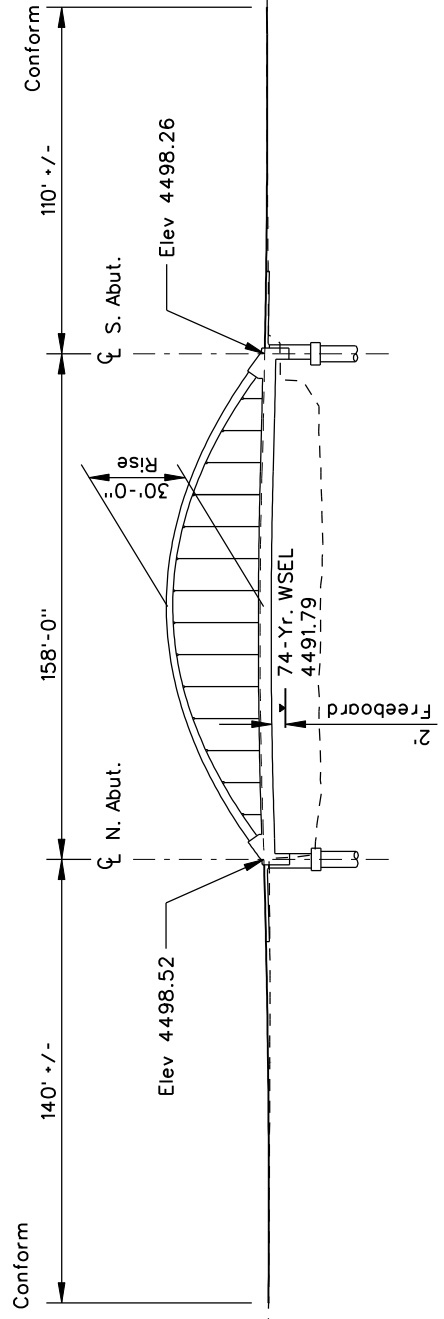
TYPICAL SECTION



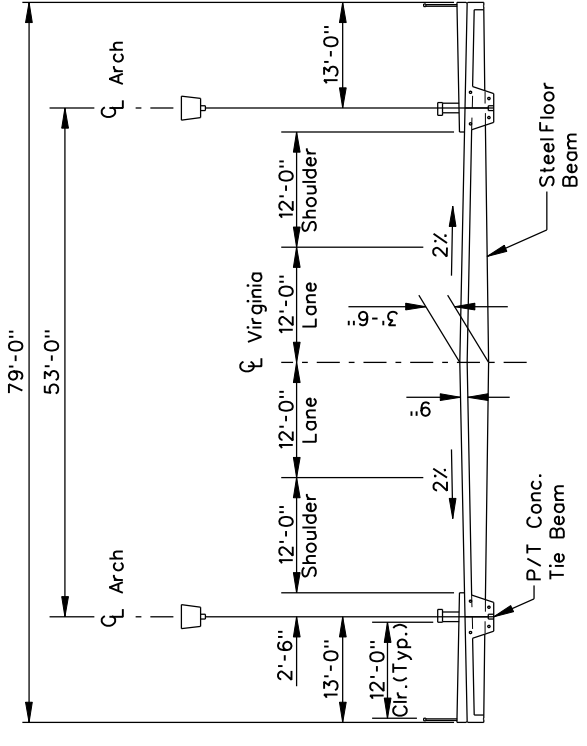
PLAN

LEGEND

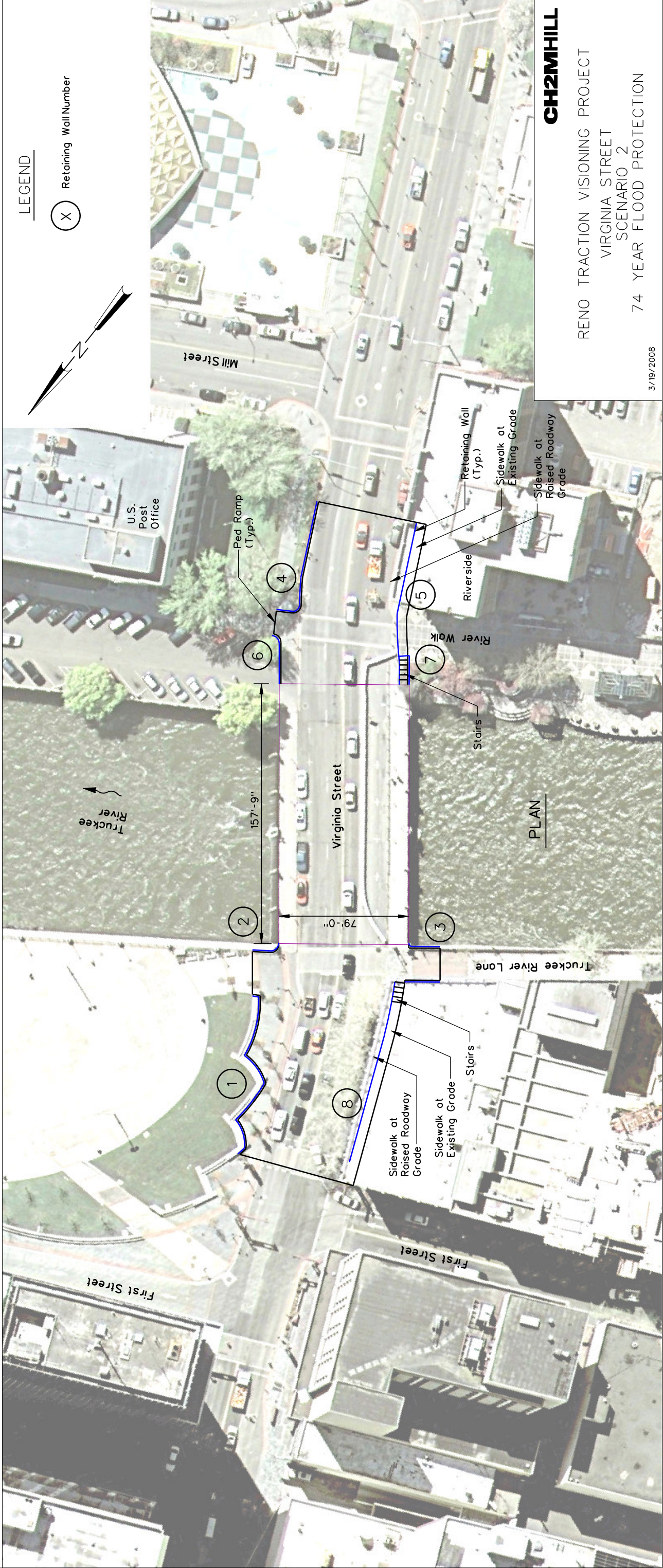
(X) Retaining Wall Number



ELEVATION



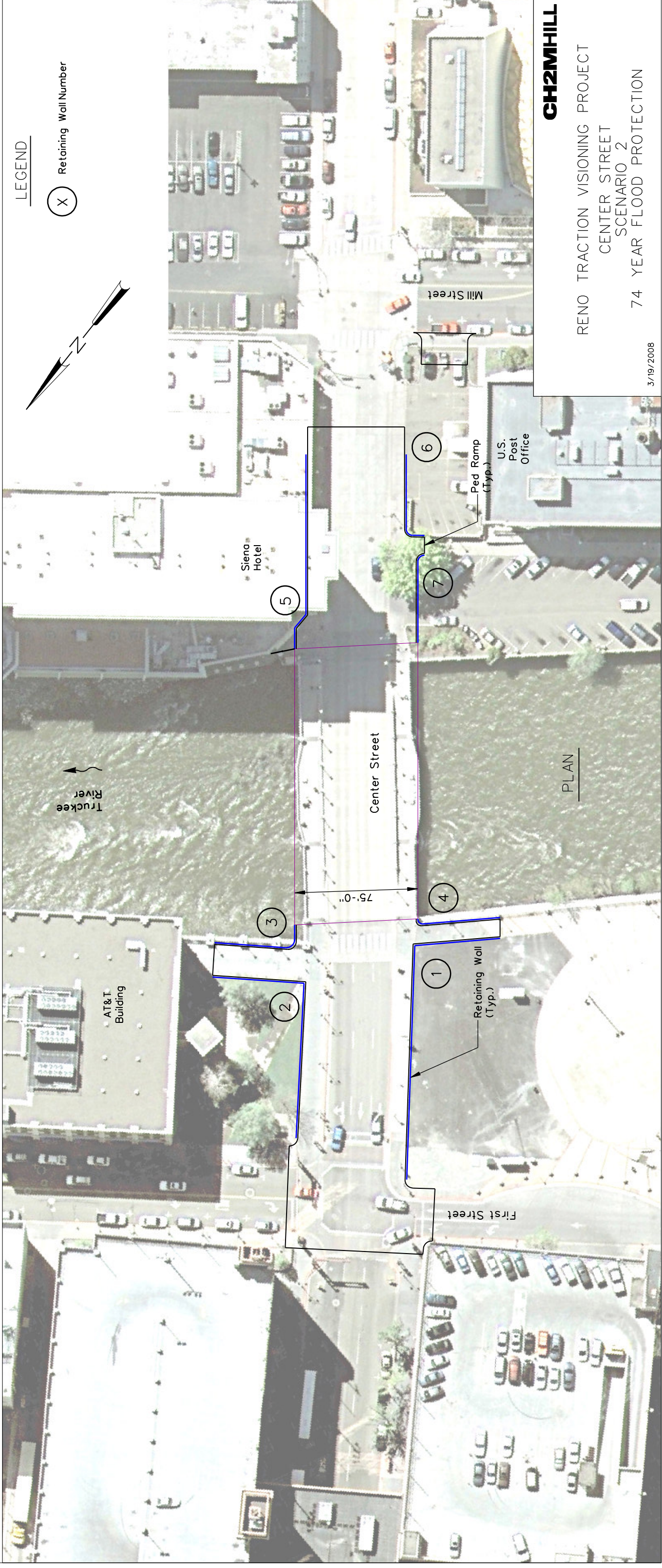
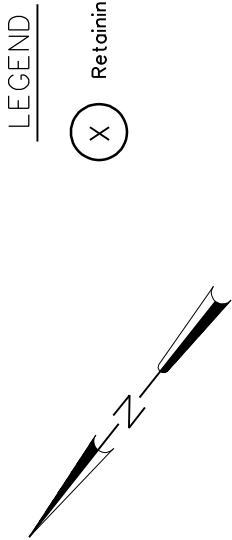
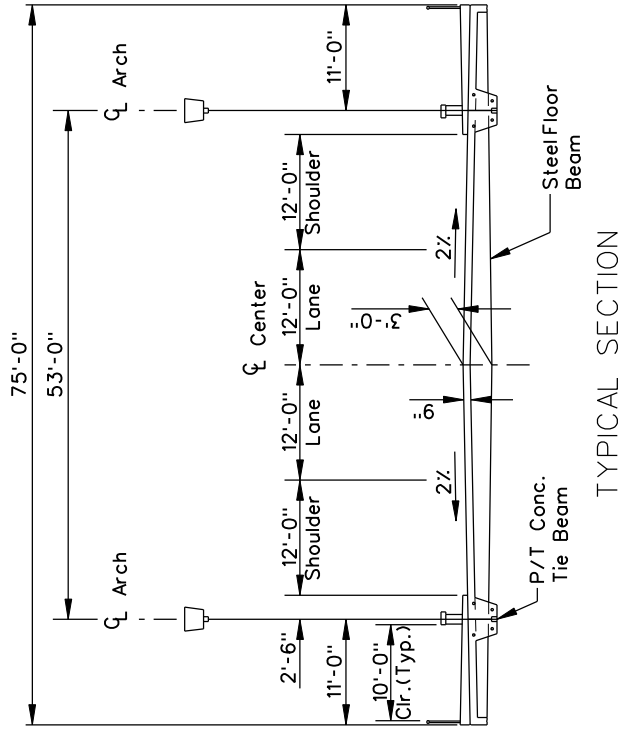
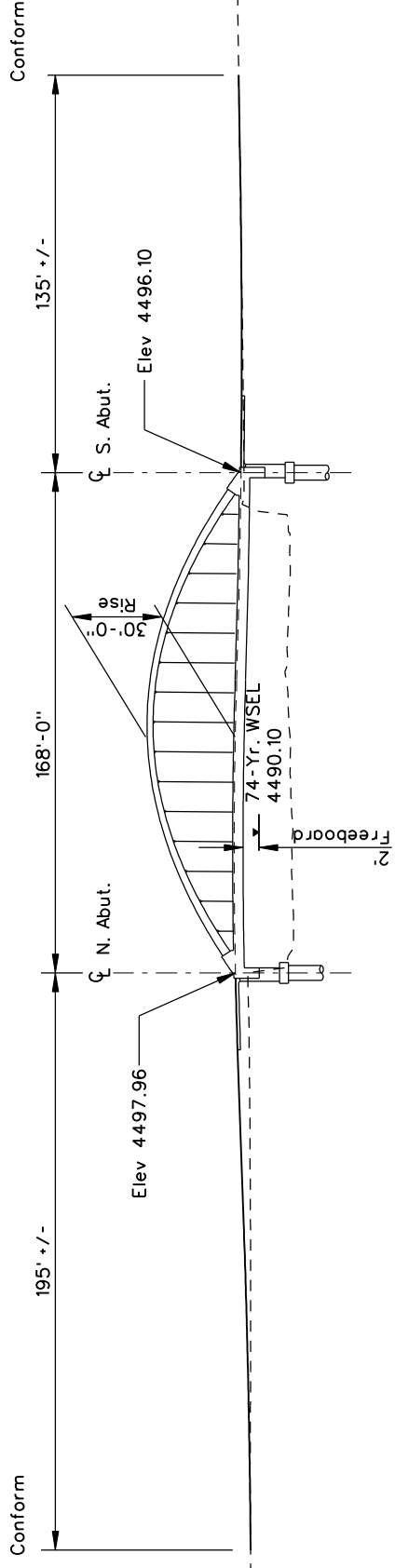
TYPICAL SECTION



PLAN

LEGEND

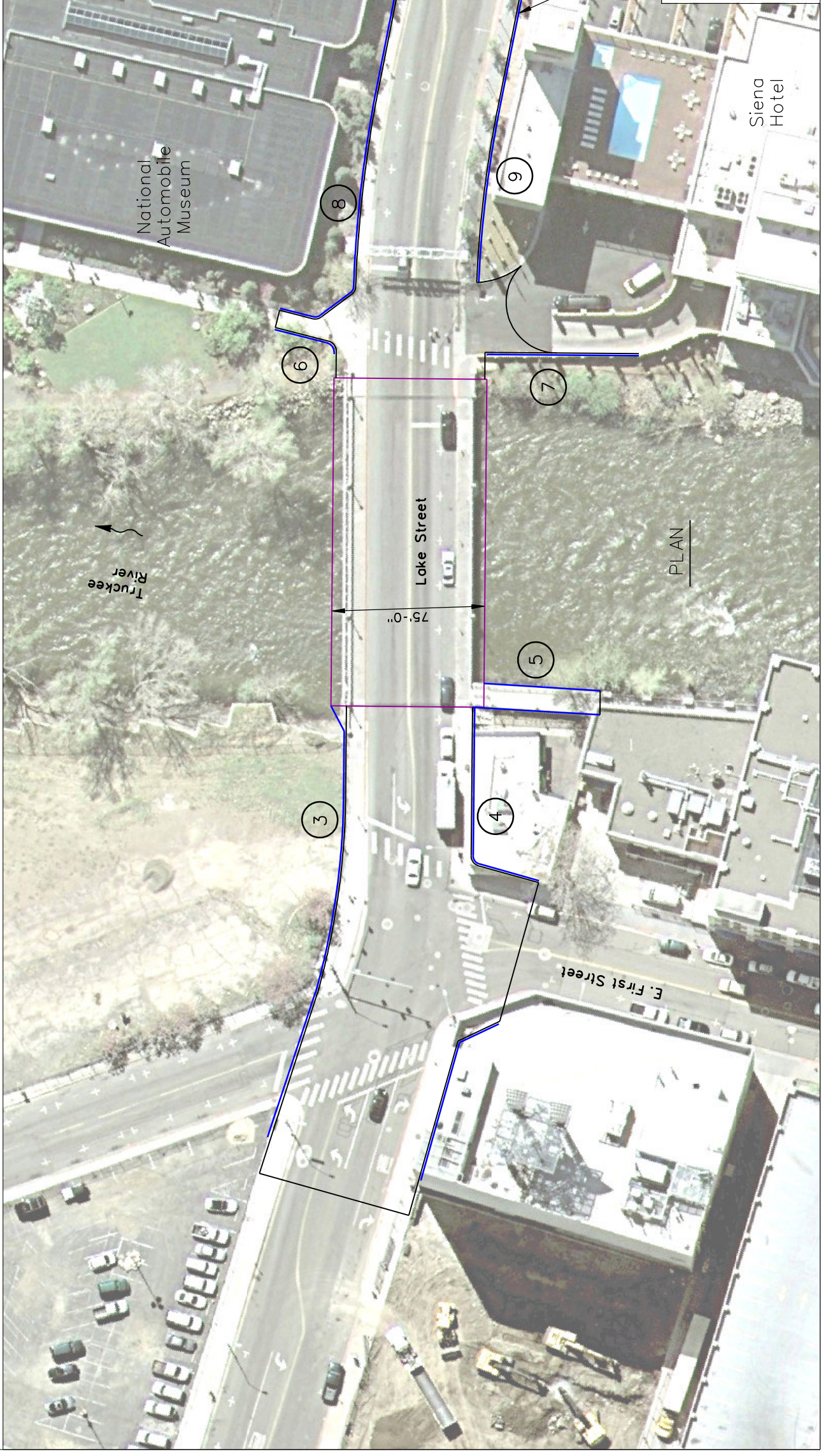
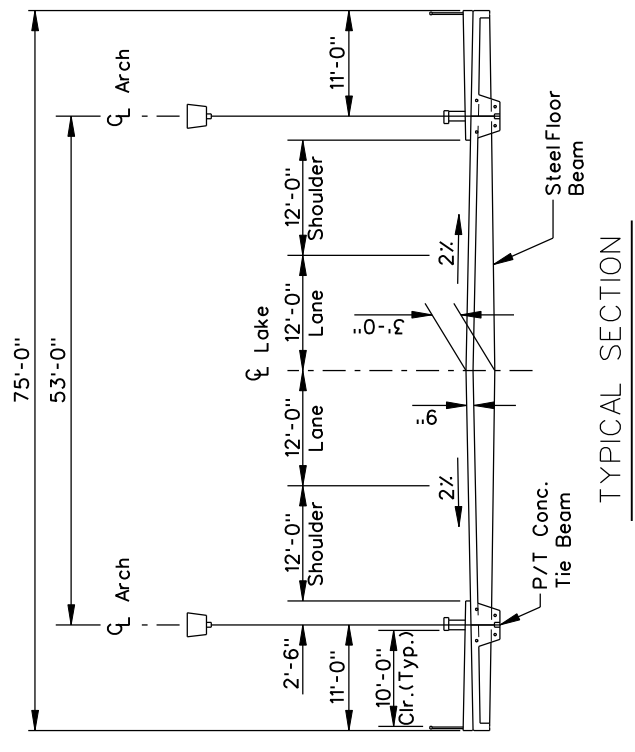
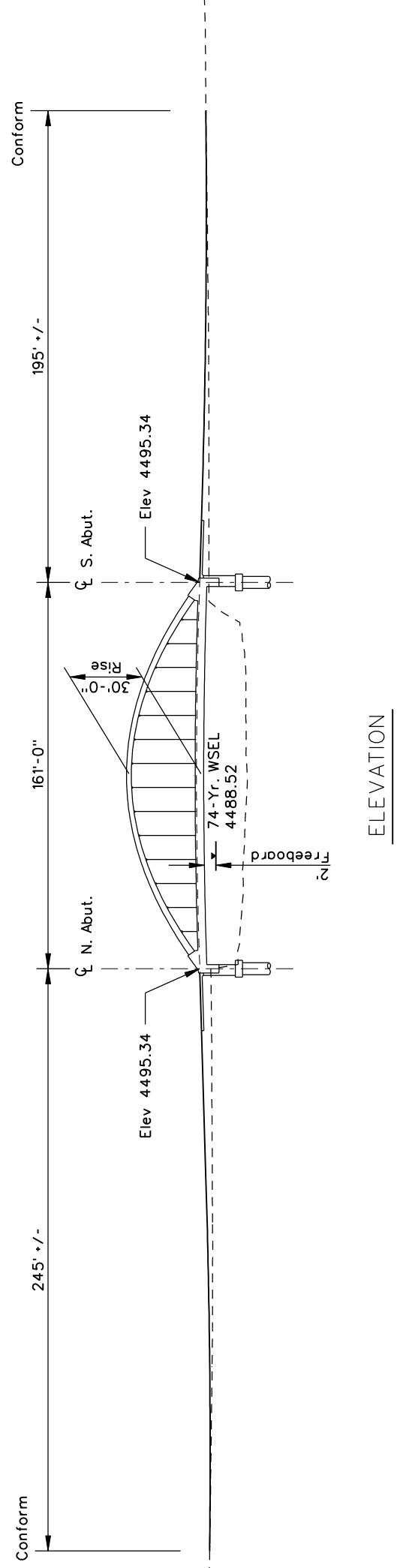
(X) Retaining Wall Number



CH2MHILL

RENO TRACTION VISIONING PROJECT
CENTER STREET
SCENARIO 2
74 YEAR FLOOD PROTECTION

3/19/2008



CH2MHILL

RENO TRACTION VISIONING PROJECT

LAKE STREET

SCENARIO 2

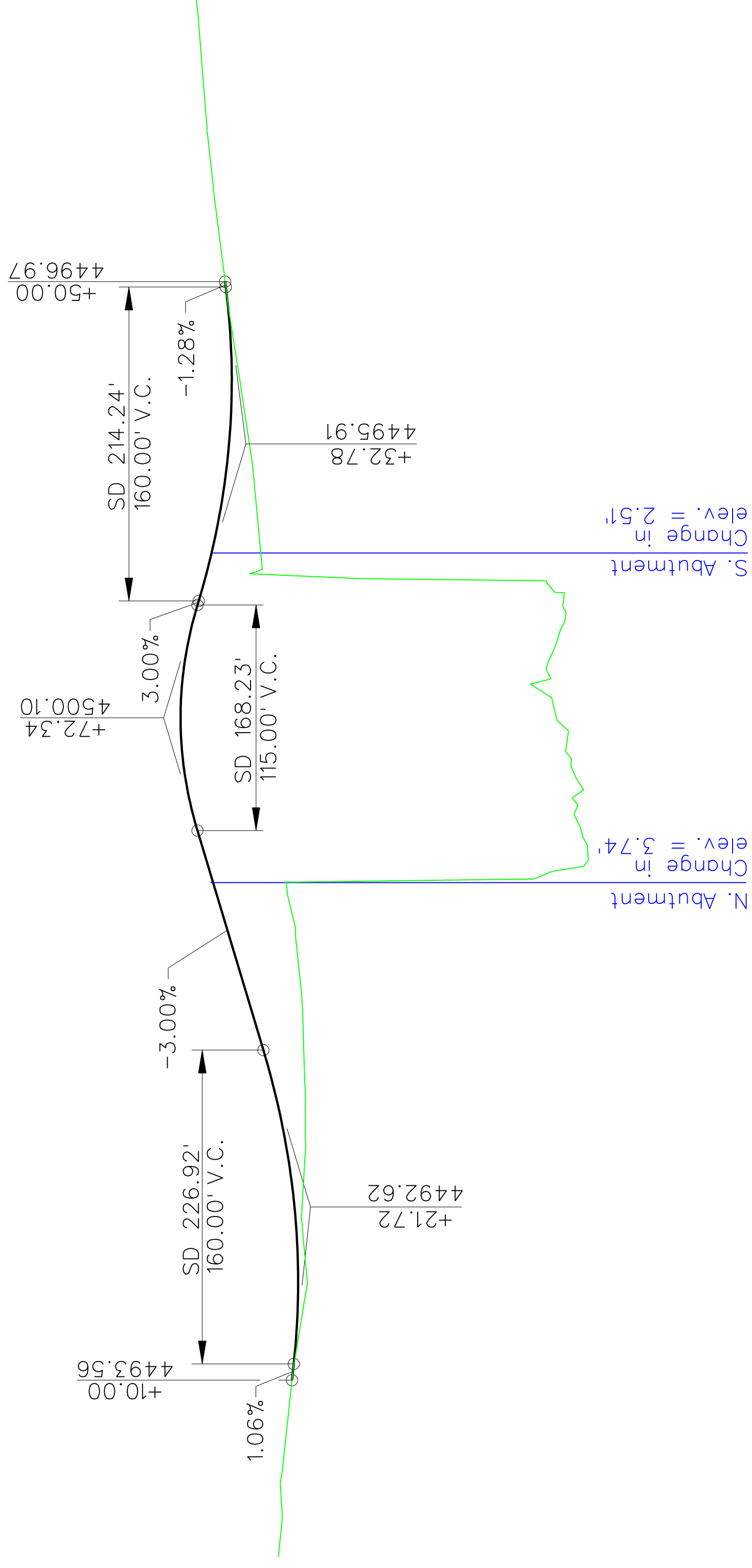
74-YEAR FLOOD PROTECTION

3/19/2008

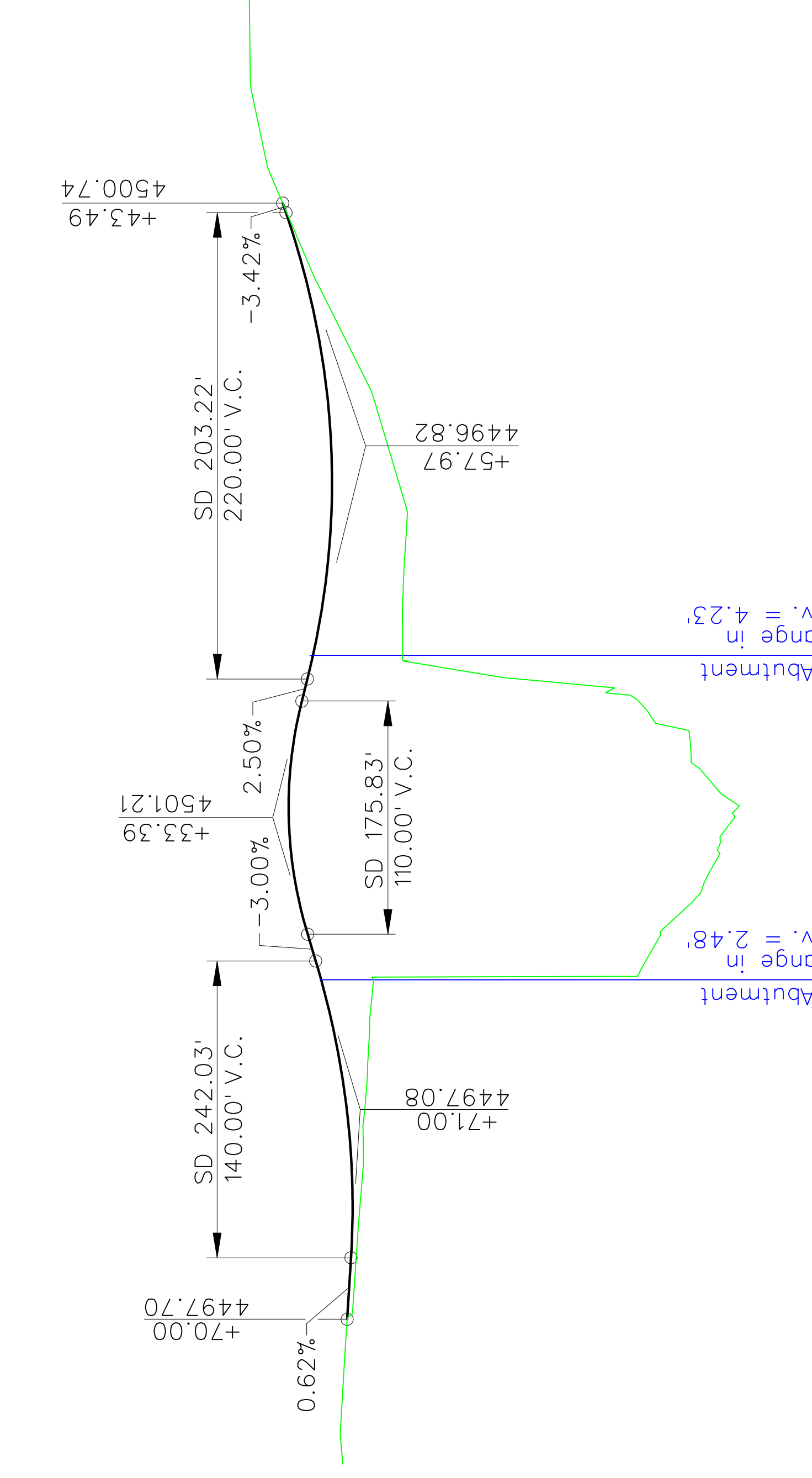
3/19/2008

CH2MHILL

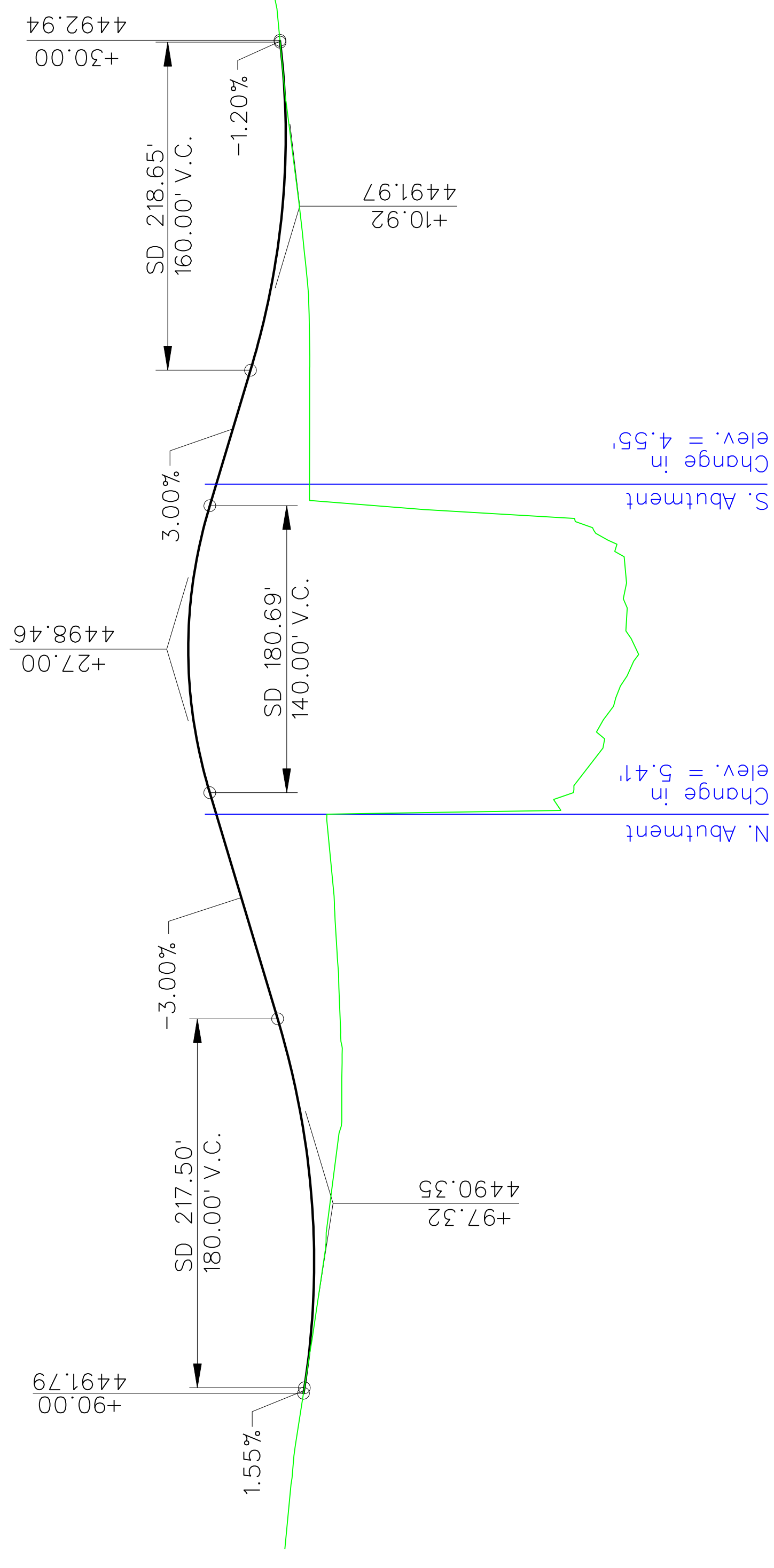
RENO TRACTION VISIONING PROJECT
ROADWAY PROFILES
SCENARIO 3
100 YEAR FLOOD PROTECTION



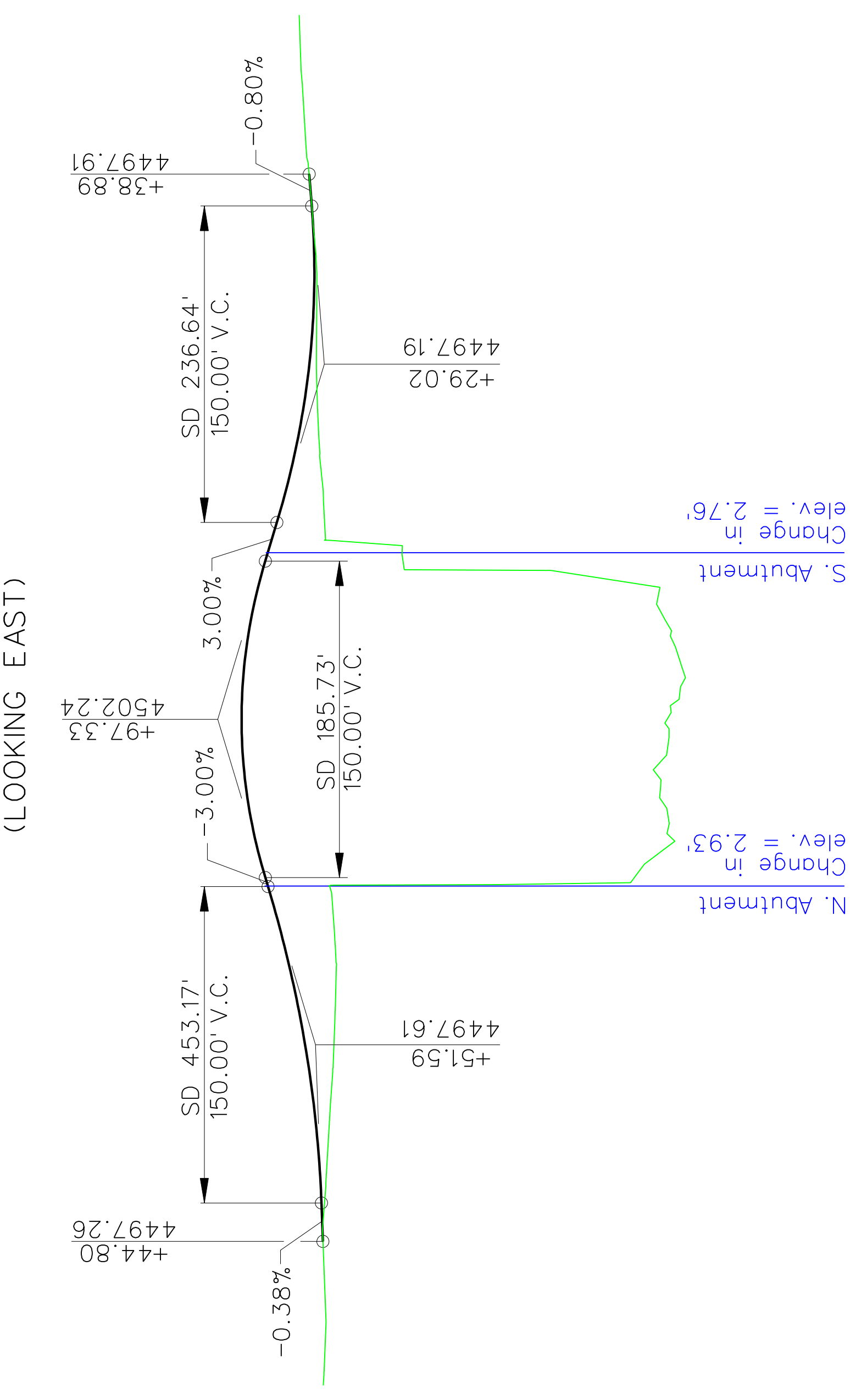
CENTER STREET
(LOOKING EAST)



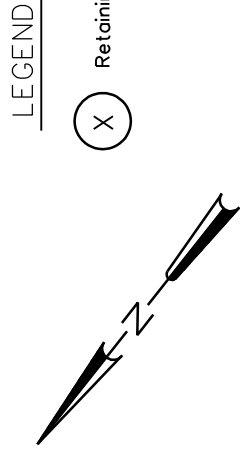
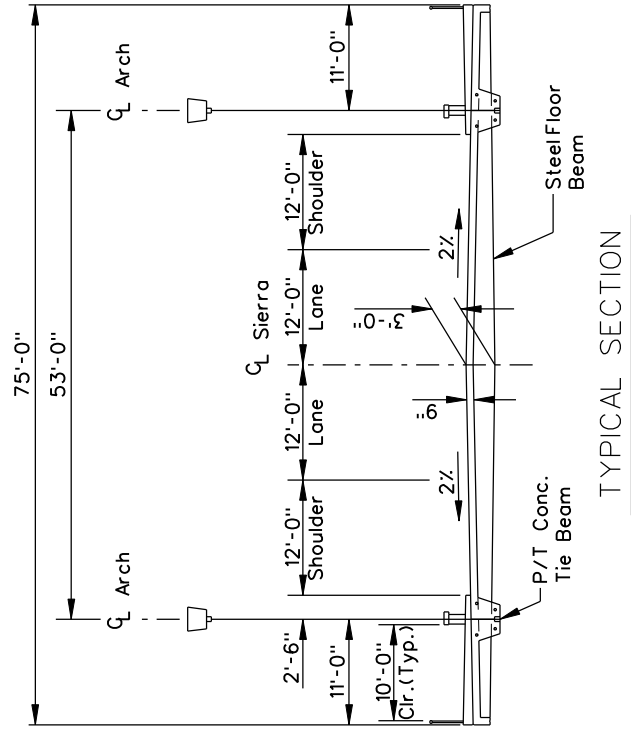
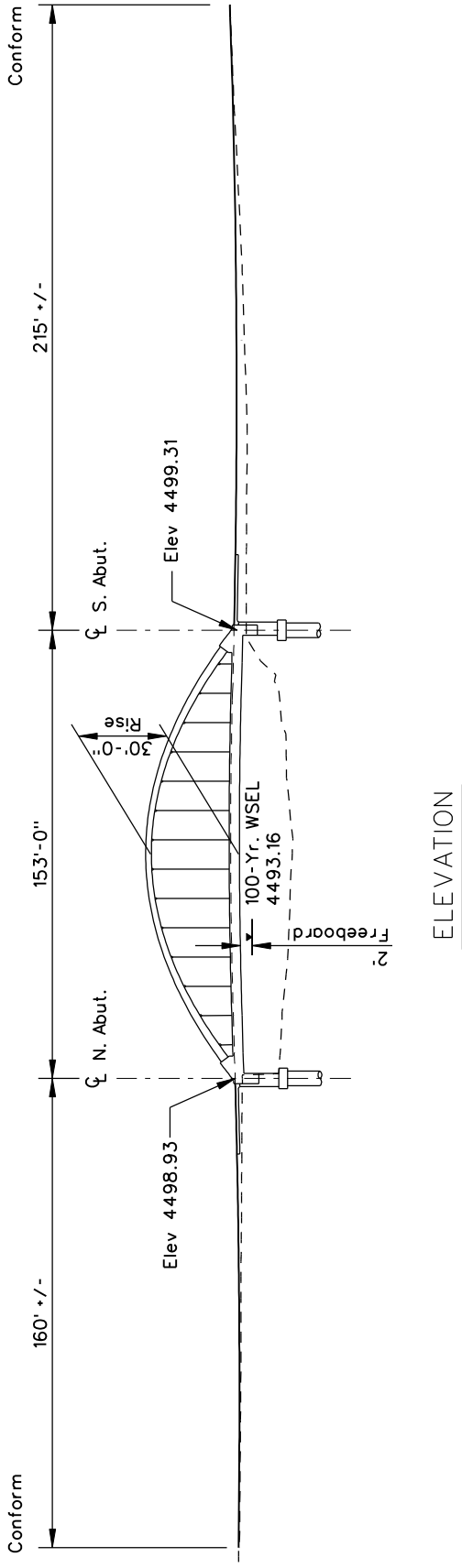
SIERRA STREET
(LOOKING EAST)

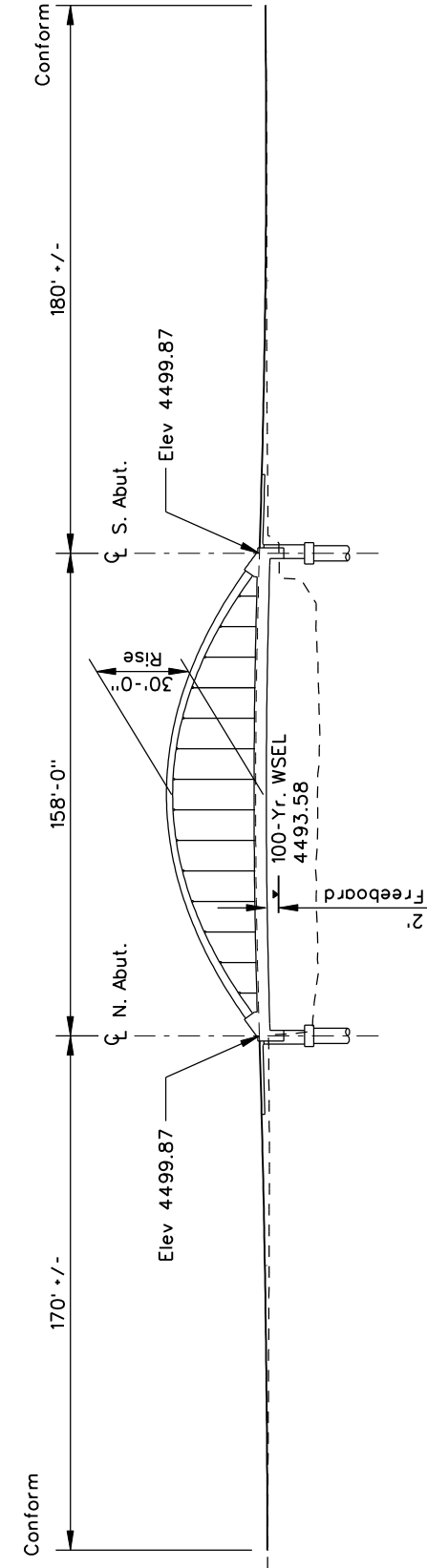


LAKE STREET
(LOOKING EAST)

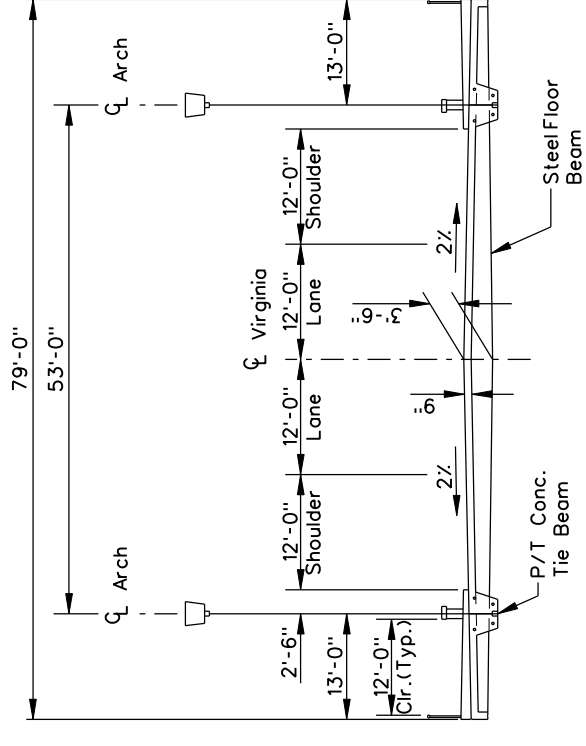


VIRGINIA STREET
(LOOKING EAST)

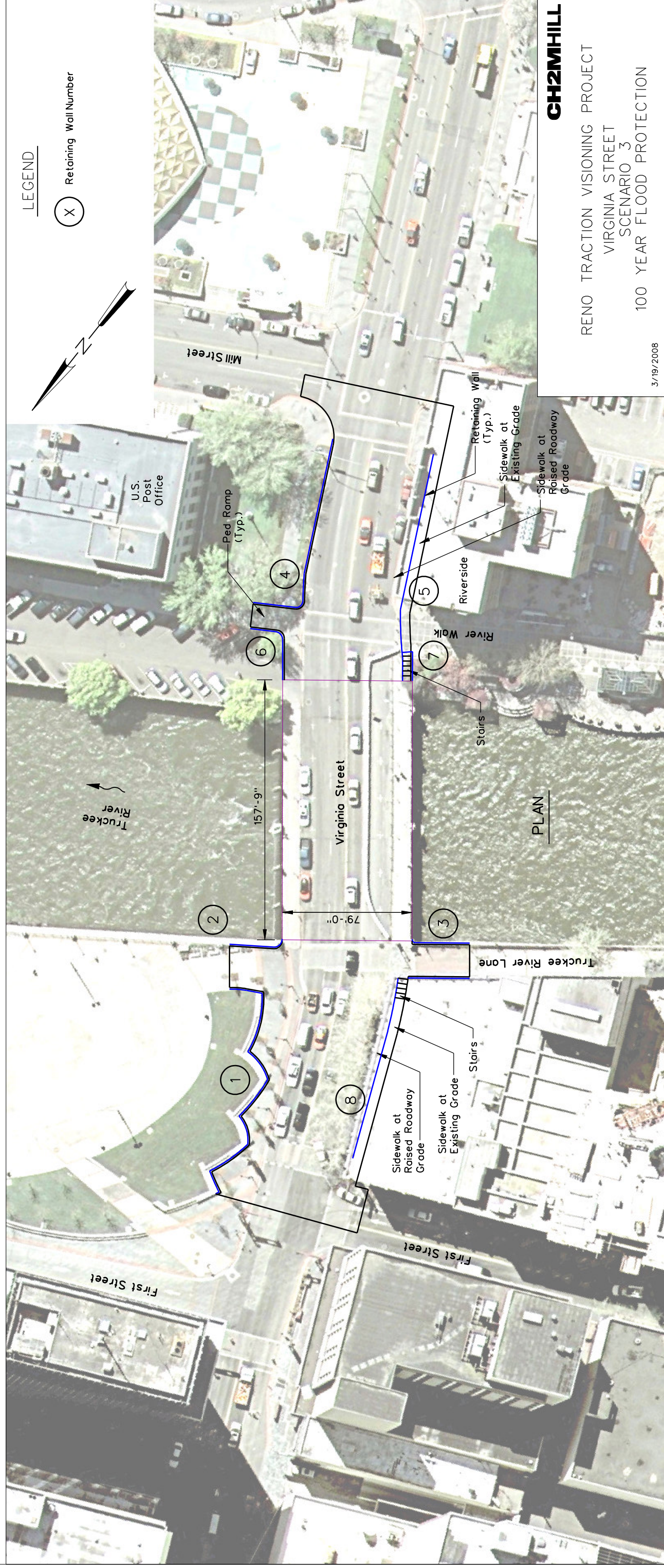




ELEVATION



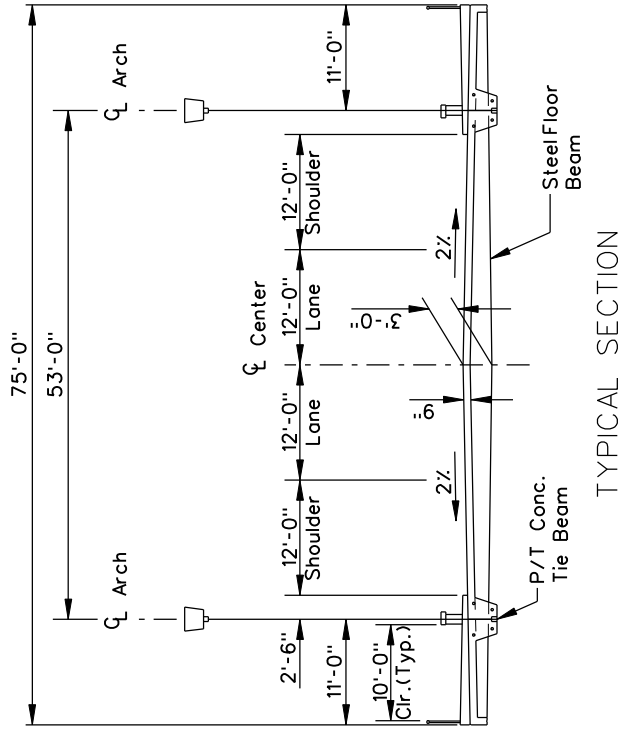
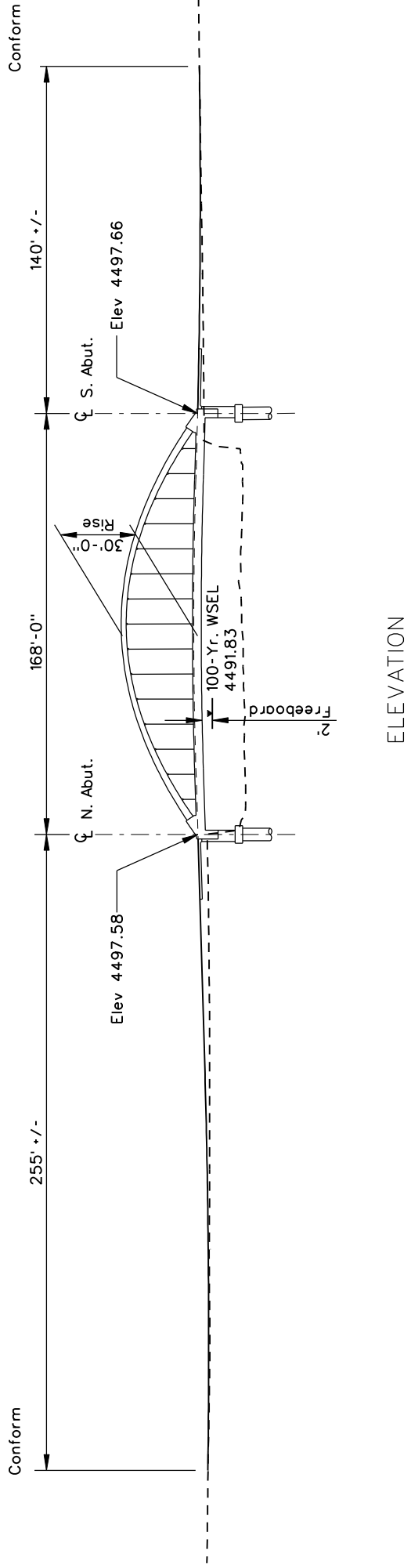
TYPICAL SECTION

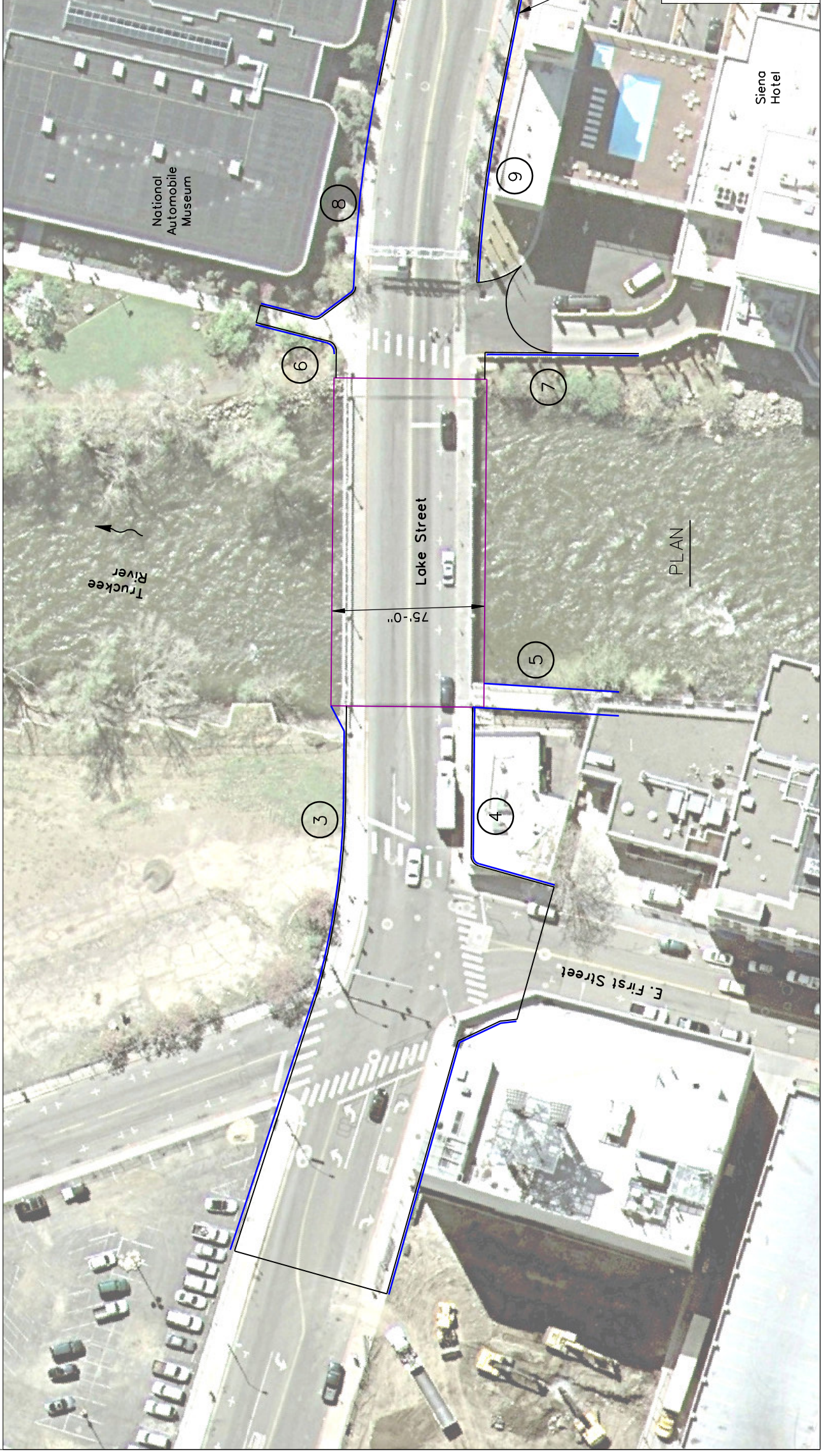
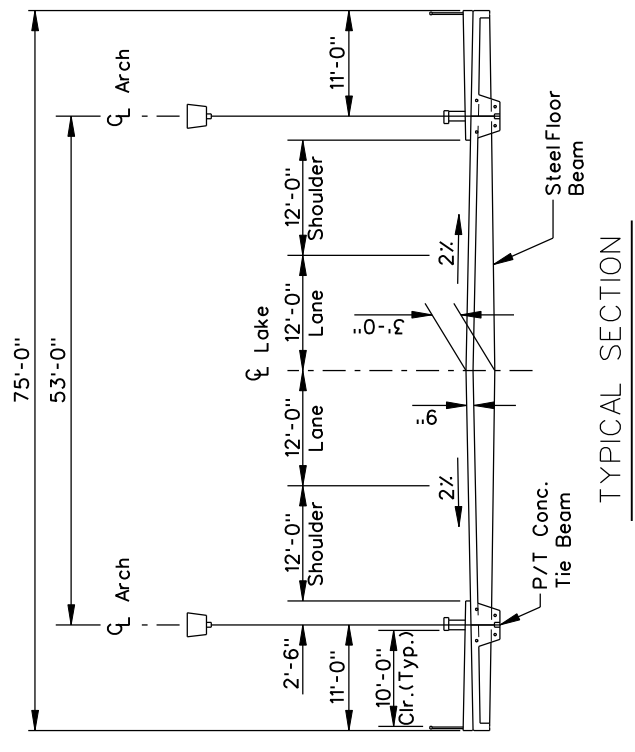
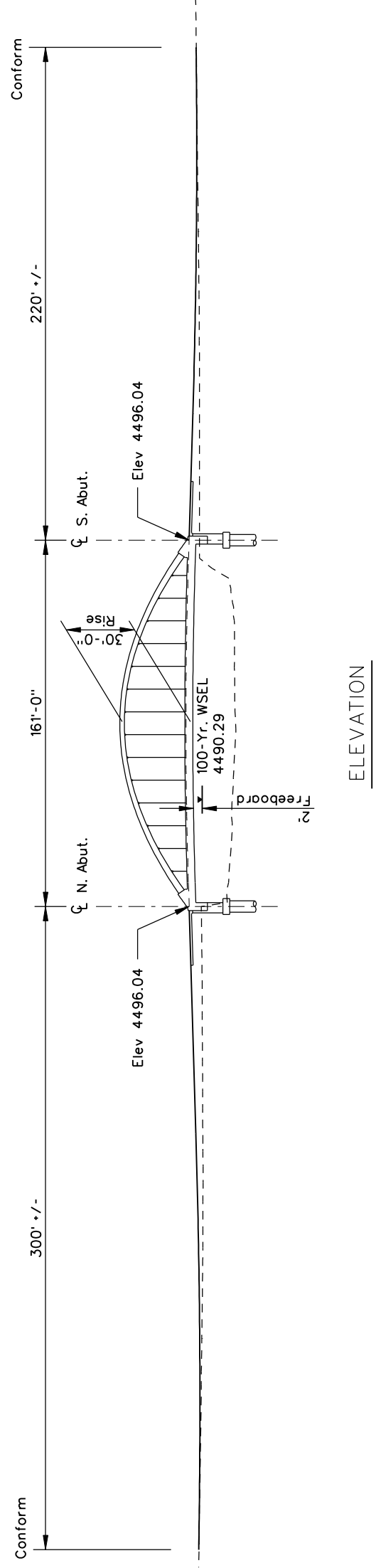


PLAN

LEGEND

- (X) Retaining Wall Number





LEGEND



Retaining Wall Number

CH2MHILL

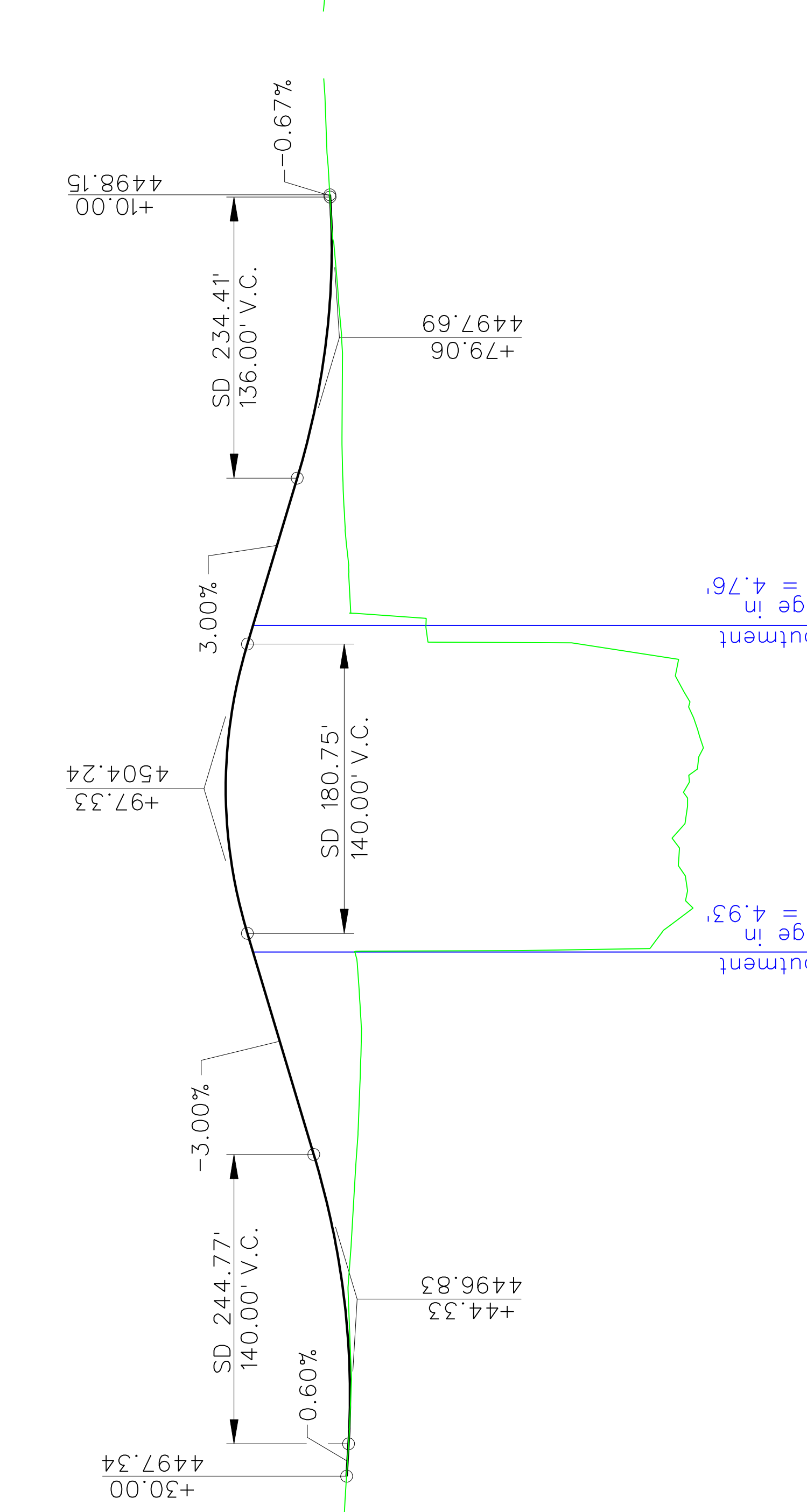
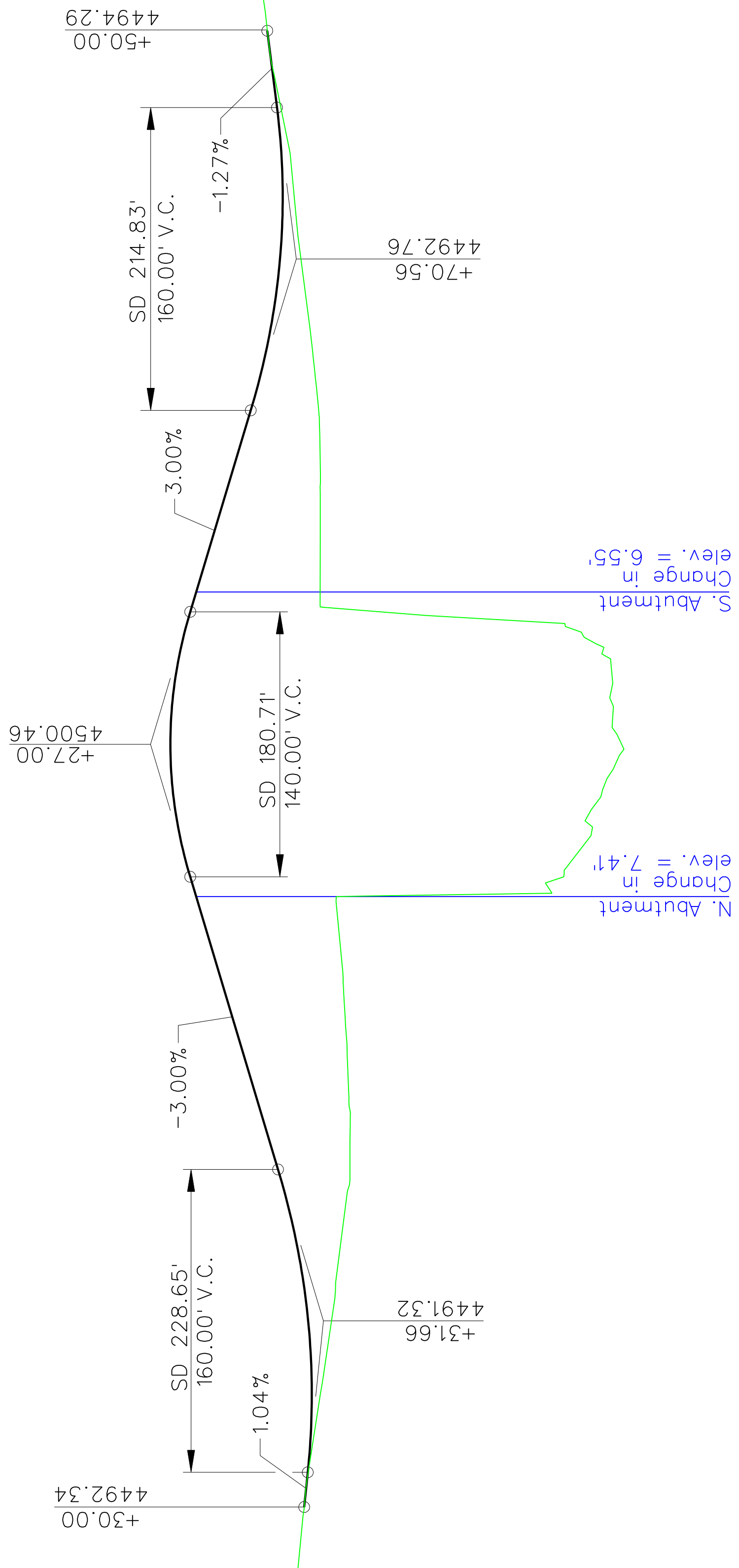
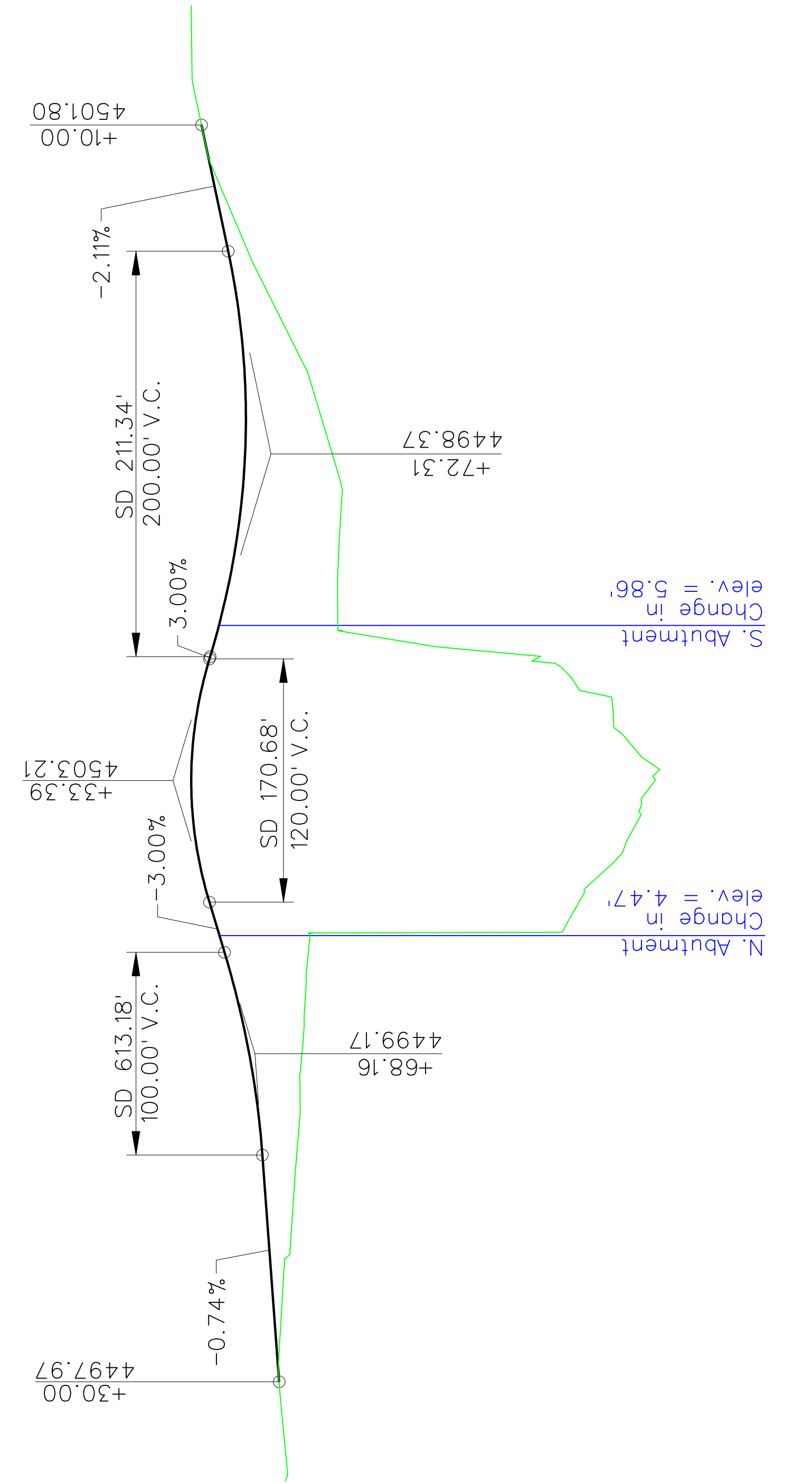
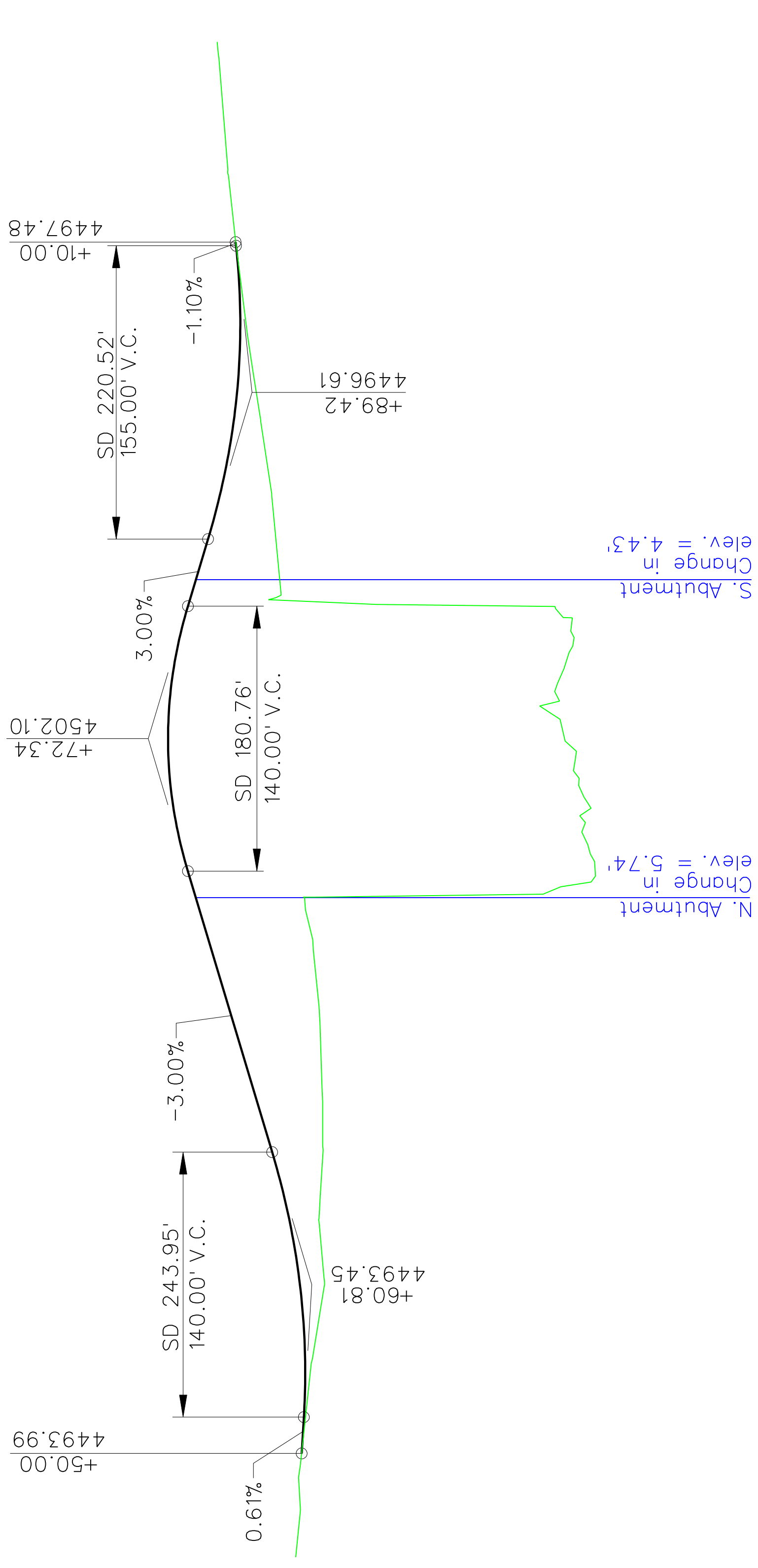
RENO TRACTION VISIONING PROJECT

LAKE STREET

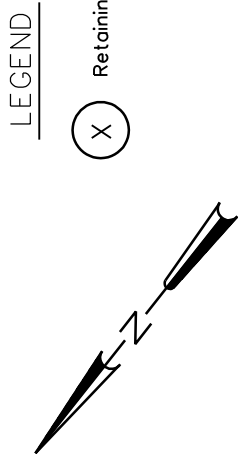
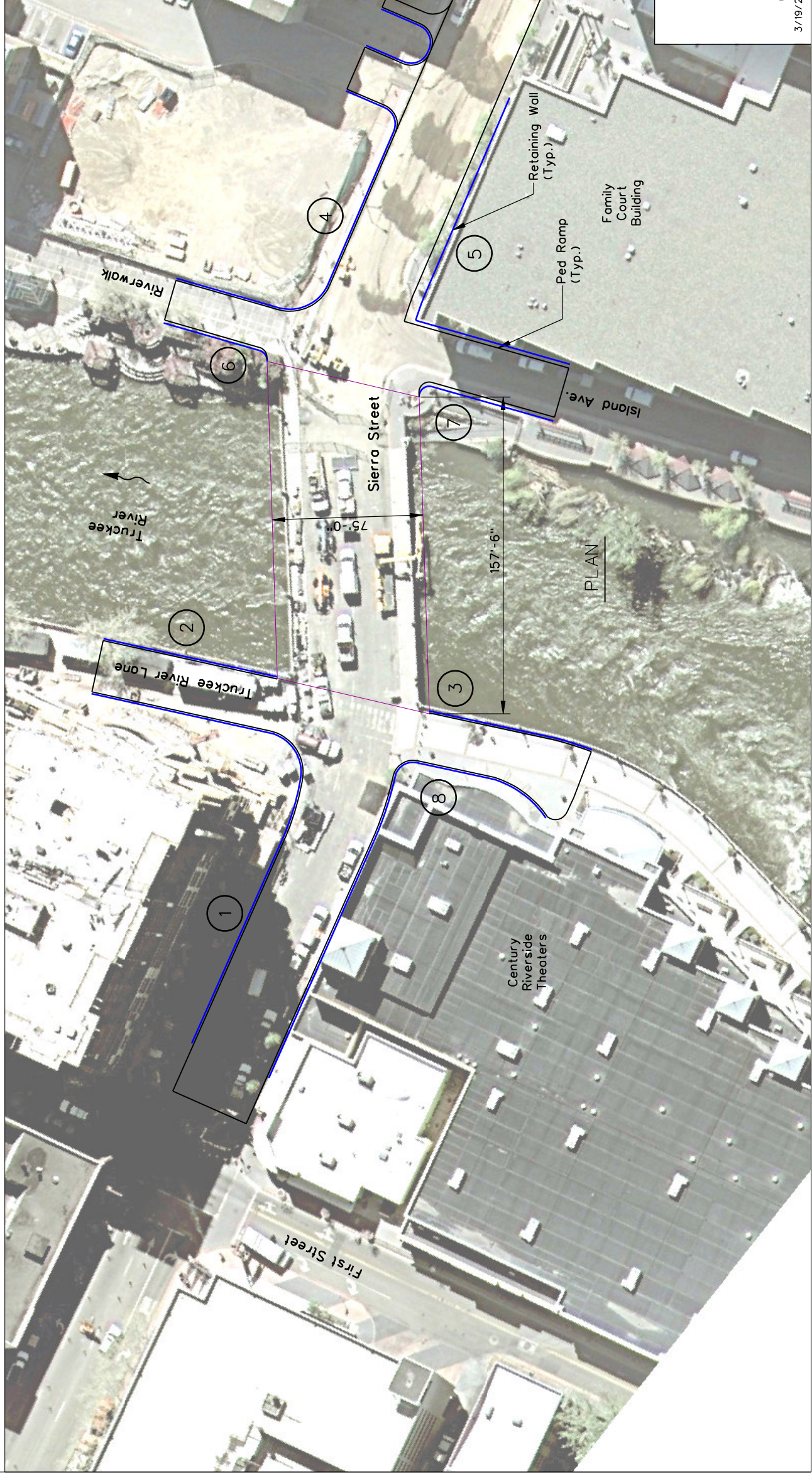
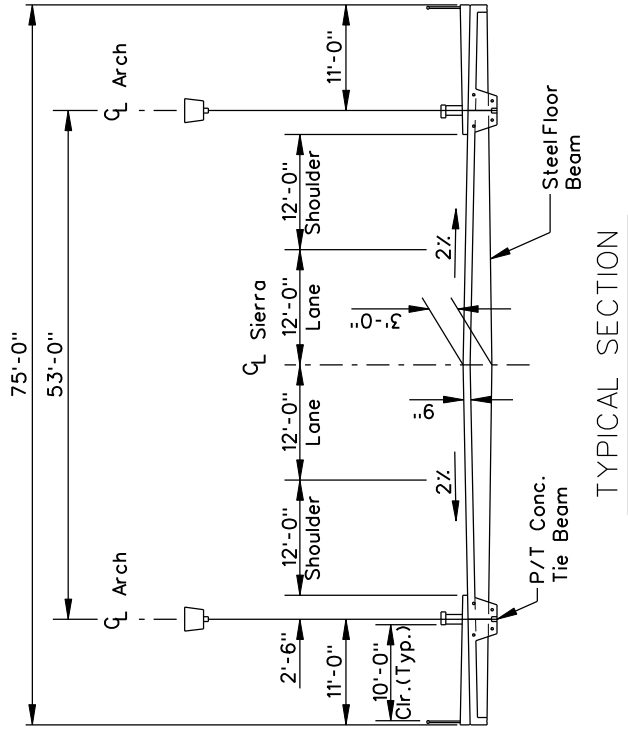
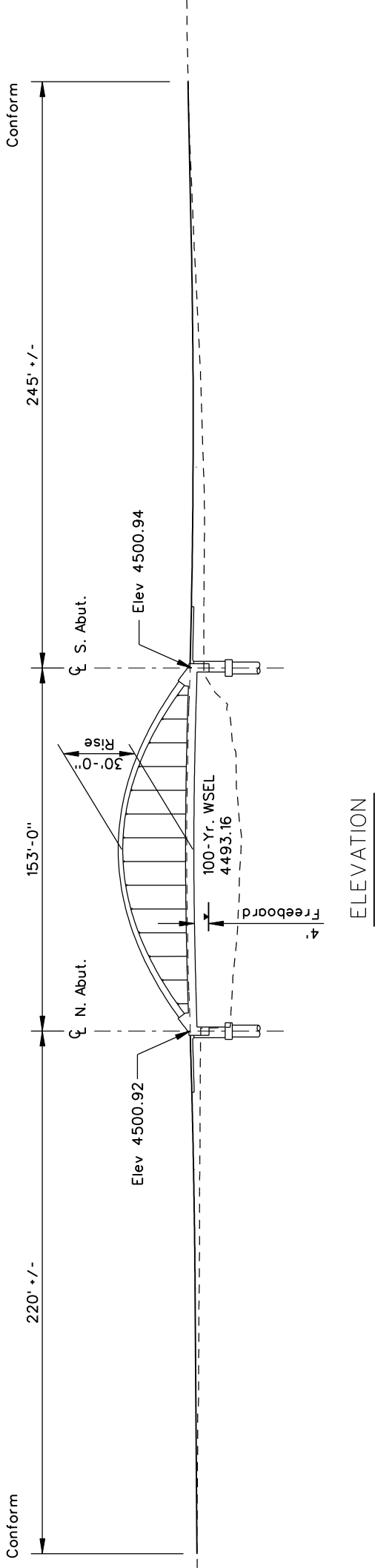
SCENARIO 3

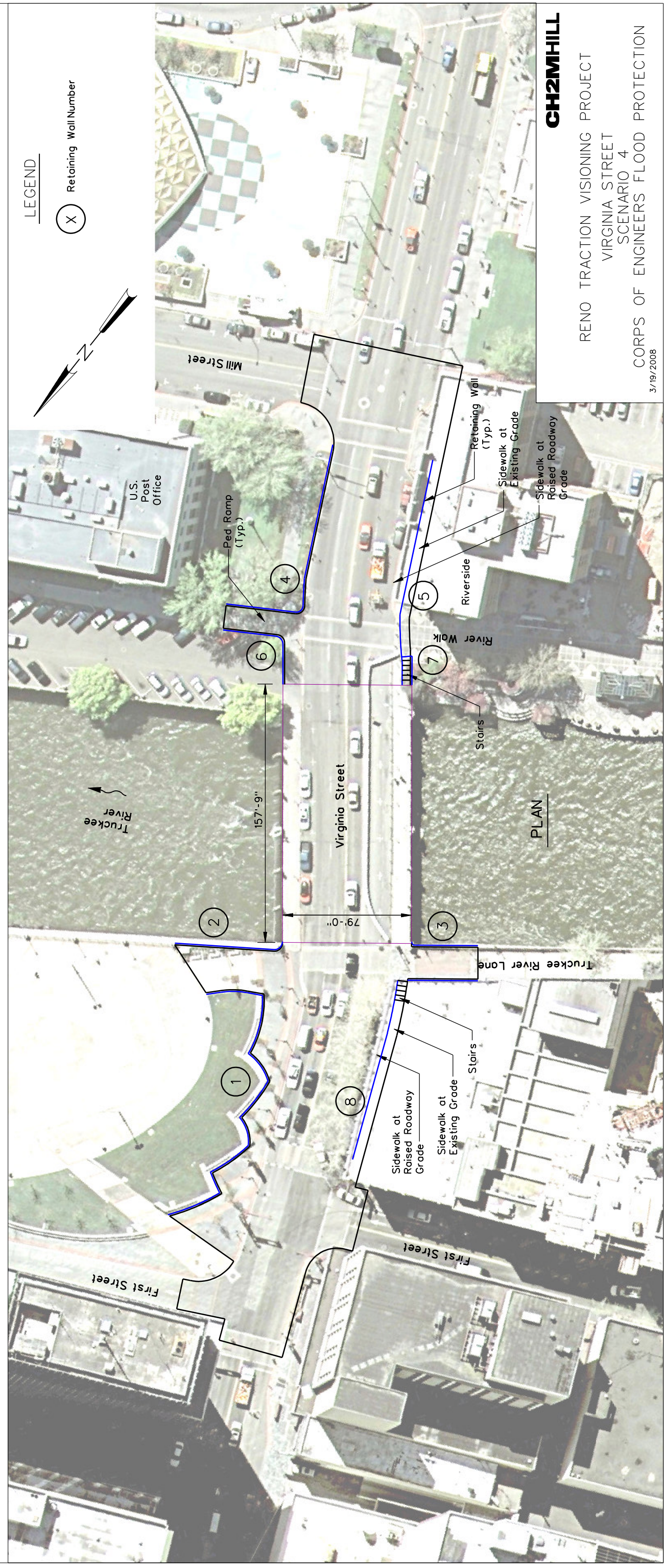
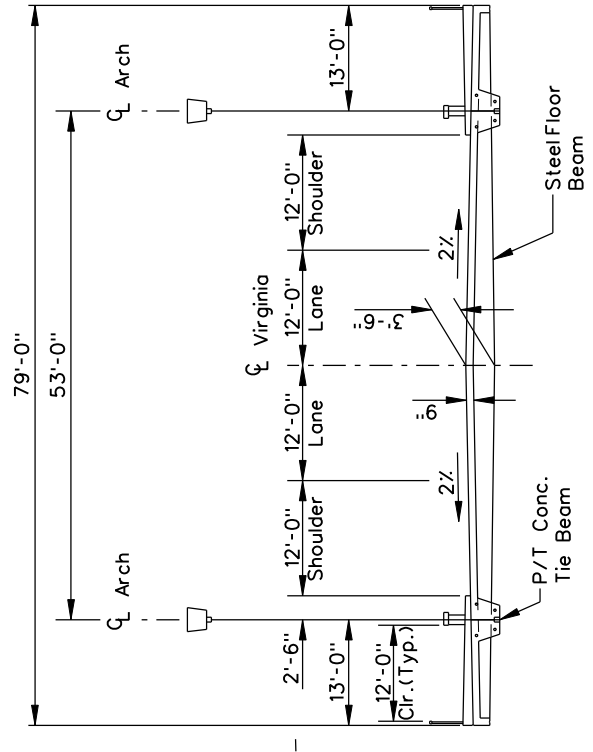
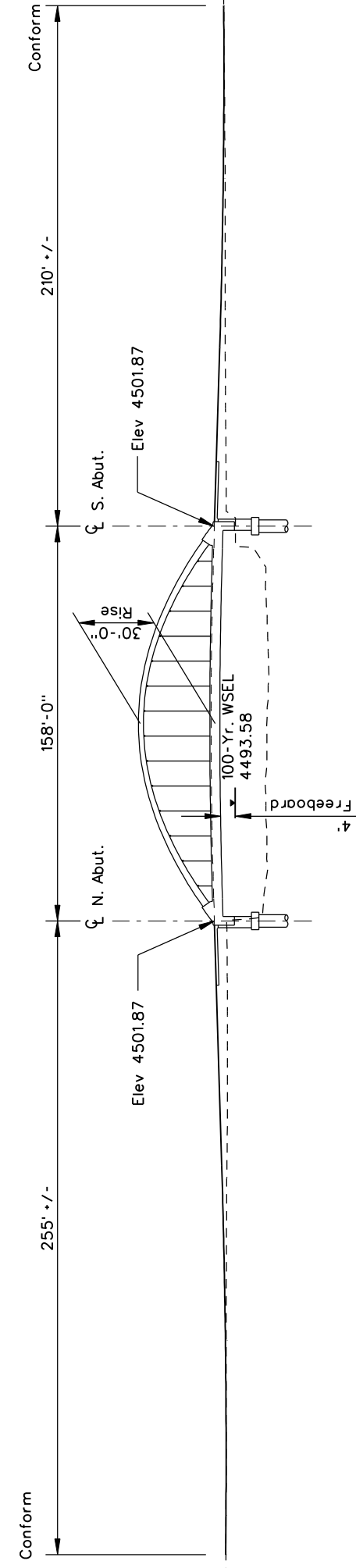
100-YEAR FLOOD PROTECTION

3/19/2008



3/19/2008





DELIVERABLES/LAYOUT4/VIRGINIA.DGN

CH2MHILL

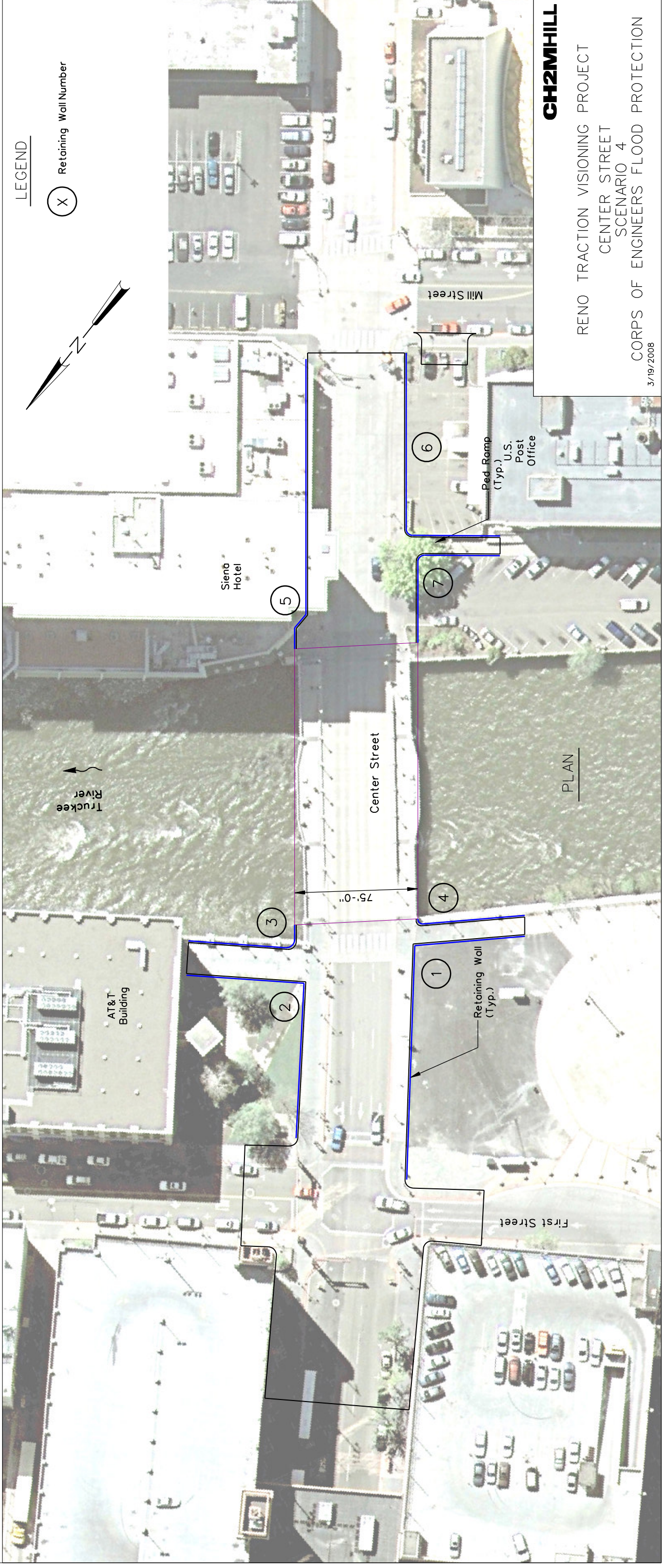
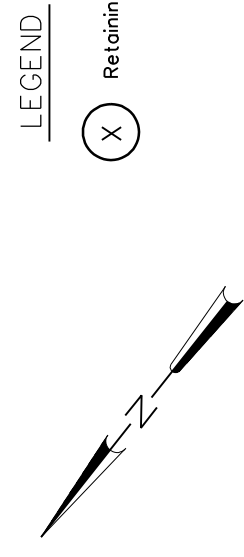
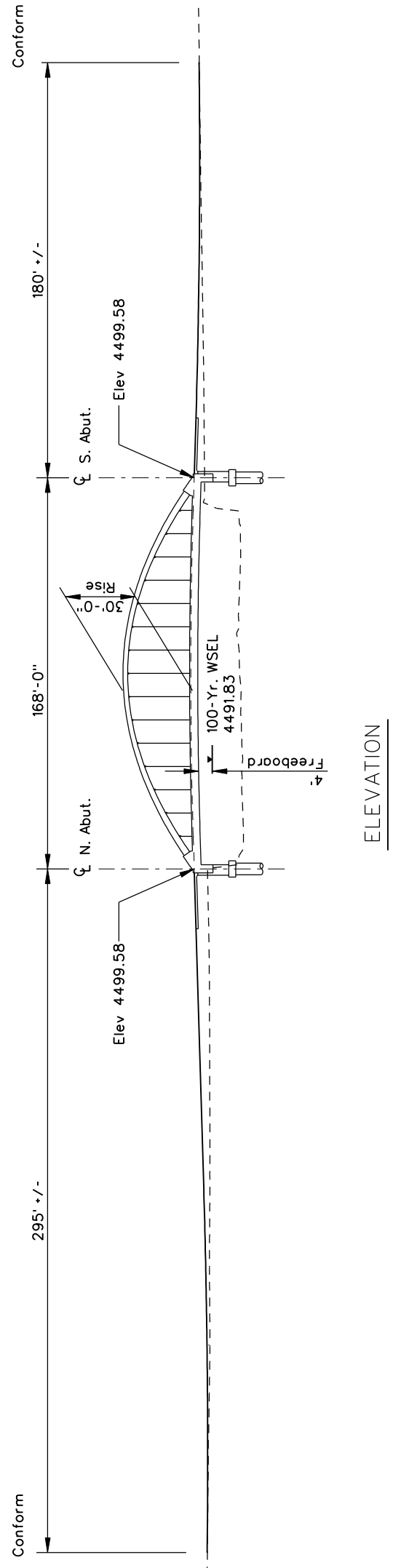
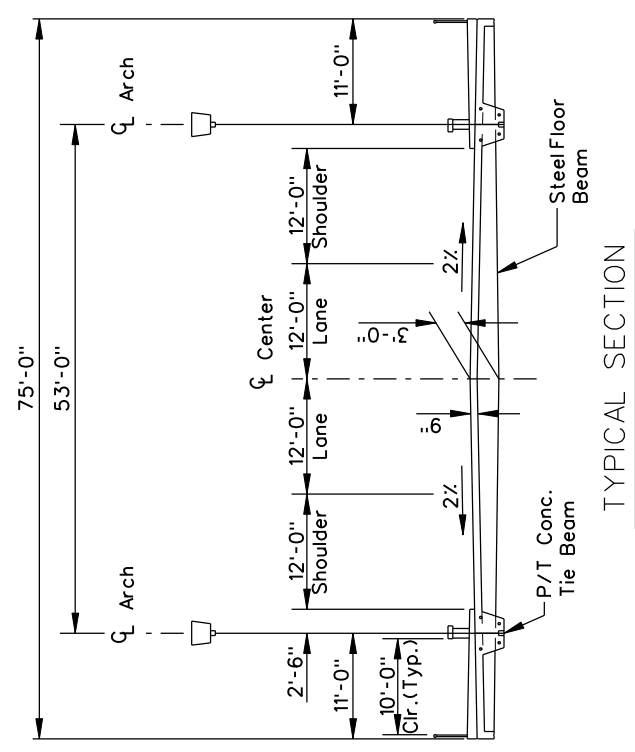
RENO TRACTION VISIONING PROJECT

VIRGINIA STREET

SCENARIO 4

CORPS OF ENGINEERS FLOOD PROTECTION

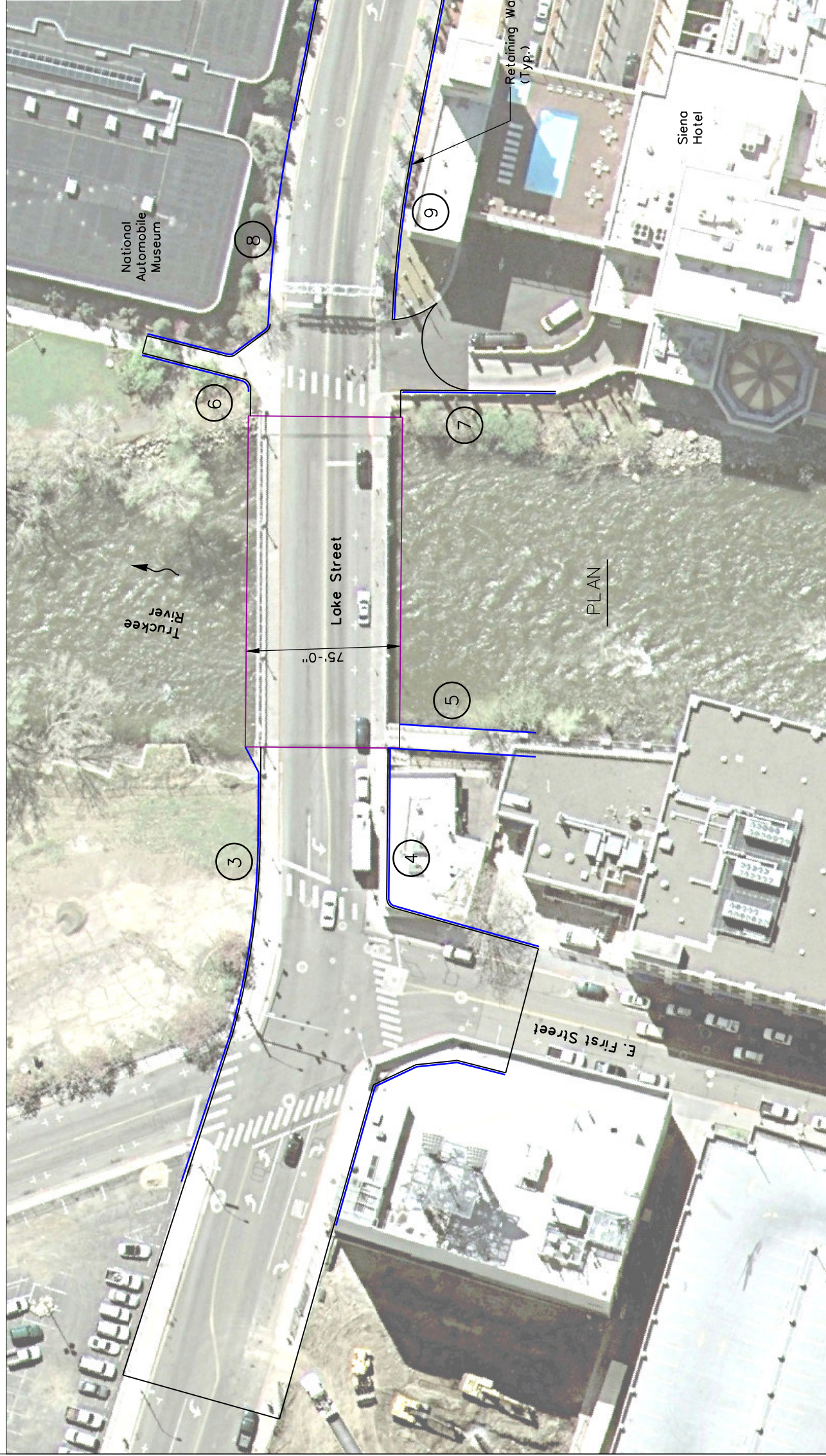
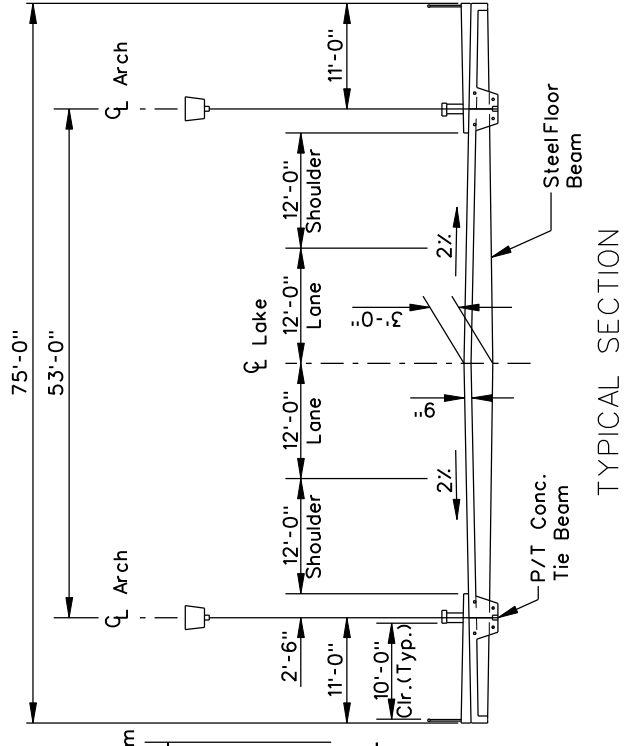
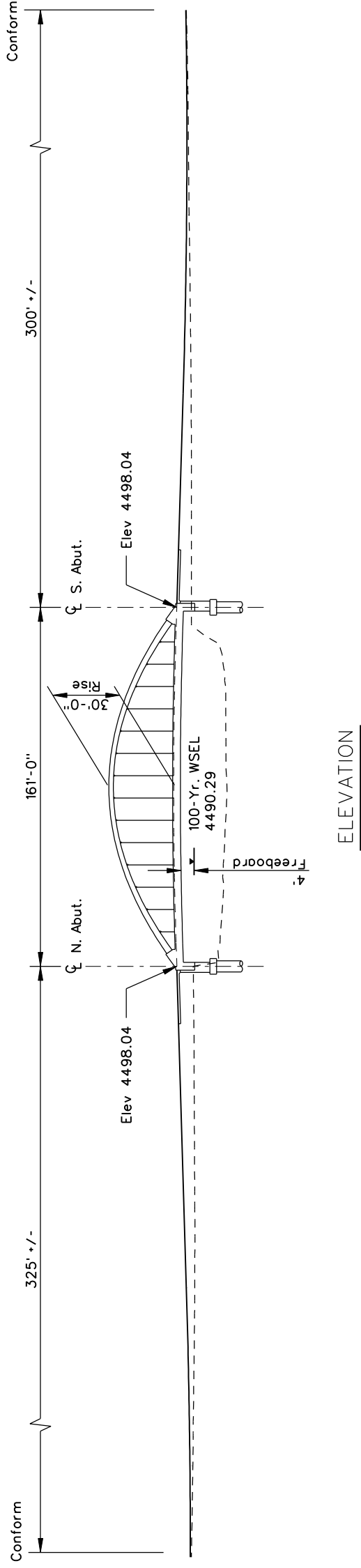
3/19/2008



CH2MHILL

RENO TRACTION VISIONING PROJECT
 CENTER STREET
 SCENARIO 4
 CORPS OF ENGINEERS FLOOD PROTECTION

3/19/2008



LEGEND



CH2MHILL

RENO TRACTION VISIONING PROJECT

LAKE STREET

SCENARIO 4

CORPS OF ENGINEERS FLOOD PROTECTION

3/19/2008

SIERRA STREET

CORPS OF ENGINEERS 100-YEAR FLOOD PROTECTION
100-YEAR FLOOD PROTECTION
74-YEAR FLOOD PROTECTION
50-YEAR FLOOD PROTECTION

LEGEND

- EXISTING GRADE
- 50-YEAR FLOOD PROTECTION
- 74-YEAR FLOOD PROTECTION
- 100-YEAR FLOOD PROTECTION
- CORPS OF ENGINEERS 100-YEAR FLOOD PROTECTION

CH2MHILL

RENO TRACTION VISIONING PROJECT
SIERRA STREET
ROADWAY PROFILE GRADE COMPARISON

3/19/2008

VIRGINIA STREET

CORPS OF ENGINEERS 100-YEAR FLOOD PROTECTION
100-YEAR FLOOD PROTECTION
74-YEAR FLOOD PROTECTION
50-YEAR FLOOD PROTECTION

LEGEND

- EXISTING GRADE
- 50-YEAR FLOOD PROTECTION
- 74-YEAR FLOOD PROTECTION
- 100-YEAR FLOOD PROTECTION
- CORPS OF ENGINEERS 100-YEAR FLOOD PROTECTION

CENTER STREET

CORPS OF ENGINEERS 100-YEAR FLOOD PROTECTION
100-YEAR FLOOD PROTECTION
74-YEAR FLOOD PROTECTION

LEGEND

- EXISTING GRADE
- 74-YEAR FLOOD PROTECTION
- 100-YEAR FLOOD PROTECTION
- CORPS OF ENGINEERS 100-YEAR FLOOD PROTECTION

CH2MHILL
RENO TRACTION VISIONING PROJECT
CENTER STREET
ROADWAY PROFILE GRADE COMPARISON
3/19/2008

LAKE STREET

CORPS OF ENGINEERS 100-YEAR FLOOD PROTECTION
100-YEAR FLOOD PROTECTION
74-YEAR FLOOD PROTECTION
50-YEAR FLOOD PROTECTION

LEGEND

- EXISTING GRADE
- 50-YEAR FLOOD PROTECTION
- 74-YEAR FLOOD PROTECTION
- 100-YEAR FLOOD PROTECTION
- CORPS OF ENGINEERS 100-YEAR FLOOD PROTECTION